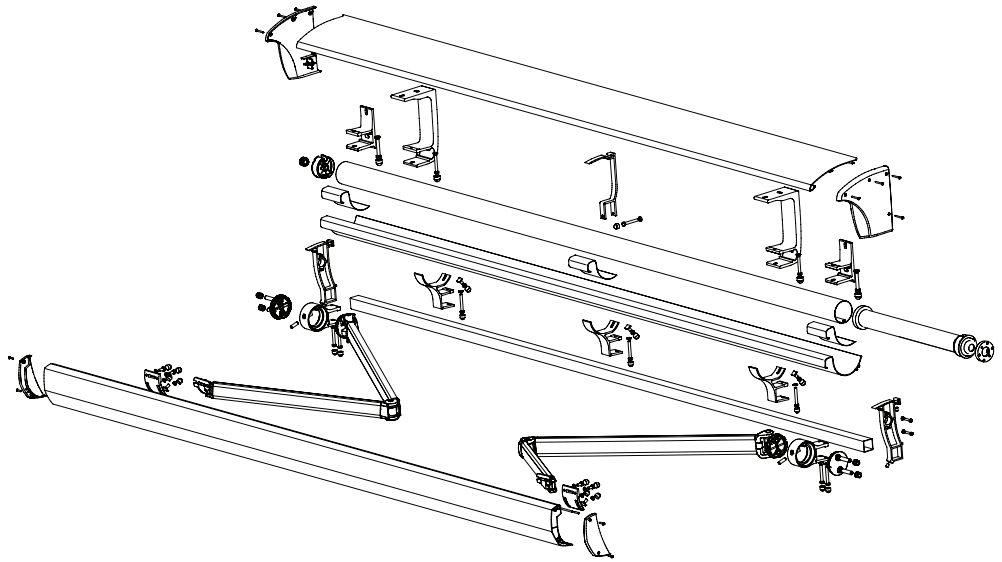


FA50-series



FOLDING ARM AWNING COMPONENT BOOK

FA52

FA56

FA57

FA58

INDEX

| | Page |
|--|-------|
| Beskrivning Description | 2-3 |
| Vindklassning Wind Classification | 4 |
| Sprängskiss Exploded view | 5-8 |
| Komponenter Components | 9-32 |
| Korsreferens Cross reference | 33 |
| Tillverkningsinformation Fabrication guidelines | 34-38 |
| Momentbehov Required Torque | 39 |
| Min bredd Min Width | 40 |
| Materialkalkyl Bill of material | 41-44 |
| Sidovyer Installation view | 45 |
| Vinkel och utfallsdiagram Pitch and projection diagram | 46-47 |

FÖRKLARINGAR

* efter ett artikelnummer hänvisar till rekommenderad skruv etc.

EXPLANATIONS

* after an article number refers to recommended screw etc.

Beskrivning

Användningsområde

FA50-serien är en extra kraftig vikarmsmarkis konstruerad för villaterrasser, balkonger, kiosker, butiker, restauranger m.m. FA50 serien är en mycket kompakt markis.

FA52 är en öppen markis, FA56 är en öppen markis med dukbalk, FA57 är en semikassett utan underprofilen och FA58 är en semikassett.

Lutningsvinkeln justeras steglöst från -5° till -20°

Manövrering

Utvändig manövrering med växel eller motor. Invändig manövrering med motor. Motorn kan kompletteras med automatiska styrningar, t ex fjärrkontroll eller sol- och vindautomatik.

Montering

Markisen monteras enkelt direkt på väggen eller undertakfoten. Flexibla monteringskonsoler finns för snedtak.

Vikarmar

Armarna är utrustade med Dyneema®-band över både knäled och axelled för ökad stabilitet. Extra kraftiga fjädrar ger en utmärkt dukspänning. Armkomponenterna är tillverkade av pressgjutet aluminium och armprofilerna av strängpressat aluminium.

Komponenter

Monteringskonsoler, gavelbeslag och stödlager med tillhörande konsoler är tillverkade av strängpressat aluminium. Växlar är tillverkade av pressgjutet zink och den löstagbara veven i stål. Bussningar för valsrör 70 och 78 mm är tillverkade av pressgjutet zink, bussningar för valsrör 85 mm i polyamid. Ändskydd till bärprofil och aluminiumprofiler är tillverkade av plast, pressgjuten aluminium eller pressgjuten zink. Lagerbussning i självsmörjande polyamid. Fästelement är tillverkade av rostfritt stål, förzinkat stål eller stål ytbehandlat med Protect 4.

Profiler

Front- och takprofilerna är tillverkade av strängpressat aluminium. Valsrör 70, 78 och 85 mm är tillverkade av specialförzinkat stål.

Bärprofil 40x40mm är tillverkad av specialförzinkat st

Färger

Pulverlackerade detaljer har färgnummer 0001 för vitt (RAL9010), 0182 för silver och 0914 för svart. Infärgad plast har färgnummer 0001 för vitt (RAL9010), 0182 för silver och 0049 för svart. Obehandlade eller galvaniserade artiklar har färgnummer 0000. Vevar är i RAL7035.

Dimensioner FA52

Utfall (m): 1.6, 2.0, 2.5, 3.0, 3.5 och 4.0

Max bredd 7.0 m per enhet. (6.0m vid 4.0m utfall)

Seriekoppling upp till 15.0 m.

Dimensioner FA56

Utfall (m): 1.6, 2.0, 2.5, 3.0, 3.5 och 4.0

Max bredd 7.0 m per enhet. (6.0m vid 4.0m utfall)

Seriekoppling upp till 15.0 m.

Dimensioner FA57

Utfall (m): 1.6, 2.0, 2.5, 3.0, 3.5, 4.0

Max bredd 7.0 m per enhet (6.0m vid 4.0m utfall)

Seriekoppling upp till 15.0 m

Dimensioner FA58

Utfall (m): 1.6, 2.0, 2.5, 3.0, 3.5 och 4.0

Max bredd 7.0 m per enhet (6.0m vid 4.0m utfall)

Seriekoppling upp till 15.0 m.

Icke standard artiklar

Artikelnummer märkt med "Nonstandard" lagervänt inte och har därför längre leveranstid. Minsta orderkvantitet (Min) gäller.

Vi förbehåller oss rätten till konstruktionsförändringar.

Description

Range of application

FA50-series is a heavy-duty folding arm awning designed for terraces, bungalows, balconies, kiosks, shops, restaurants etc. FA50-series is a very compact and neat awning.

FA52 is an open awning, FA56 is an open awning with fabric beam, FA57 is a semi cassette without support profile and FA58 is a semi cassette.

The projection angle is infinitely adjustable from -5° to 20°.

Operation

External operation by gear or motor. Internal operation by motor. The motor can be completed with automatic controls, for example remote control or sun and wind-sensors.

Installation

The awning can easily be installed directly onto the wall or under the eave. Flexible roof brackets available.

Folding arms

The arm components are manufactured of pressure-die casted aluminium and the arm profiles of extruded aluminium.

The Dyneema®-tape connection over both knee and arm brackets improve the stability of the awning. Heavy-duty springs provide an excellent tension of the fabric.

Components

The installation brackets, end bracket and centre supports with brackets are manufactured of extruded aluminium.

Gears are manufactured of pressure die casted zinc and the removable crank handle in steel. Bushings for roller tube 70, 71, and 78 mm are manufactured of pressure die casted zinc, bushings for roller tube 85mm in polyamide.

End cap for front and square tube are manufactured of polyethylene, bushing in self lubricating polyamide, diecasted aluminium or zinc. Fasteners are manufactured of stainless steel, zincplated steel or steel surface treated with Protect 4.

Profiles

The front tube and hood profile are manufactured of extruded aluminium.

Roller tube 70, 78 and 85 mm are manufactured of special zinc plated steel, roller tube 71 mm in extruded aluminium.

Square tube 40x40mm is manufactured of special zincplated steel.

Colours

Powder coated parts have colour code 0001 for white (RAL9010), 0182 for silver and 0914 for black. Pigmented plastic parts have colour code 0001 for white

(RAL9010), 0182 for silver and 0049 for black. Untreated or galvanized parts have colour code 0000. Crank handles in RAL7035.

Dimensions FA52

Projection (m): 1.6, 2.0, 2.5, 3.0, 3.5 och 4.0
Max width 7.0 m per unit. (6.0m at 4.0m projection)
Series connection up to 15.0 m.

Dimensions FA56

Projection (m): 1.6, 2.0, 2.5, 3.0, 3.5 och 4.0
Max width 7.0 m per unit. (6.0m at 4.0m projection)
Series connection up to 15.0 m.

Dimensions FA57

Projection (m): 1.6, 2.0, 2.5, 3.0, 3.5, 4.0
Max width 7.0 m per unit (6.0m at 4.0m projection)
Series connection up to 15.0 m

Dimensions FA58

Projection (m): 1.6, 2.0, 2.5, 3.0, 3.5 och 4.0
Max width 7.0 m per unit. (6.0m at 4.0m projection)
Series connection up to 15.0 m.

Nonstandard articles

Article numbers marked "Nonstandard" are not kept in stock, which results in longer delivery times.

Minimum order quantities (Min) apply.

Subject to changes without notice.

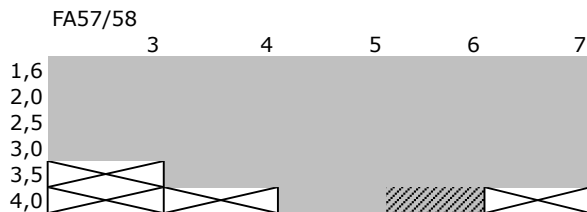
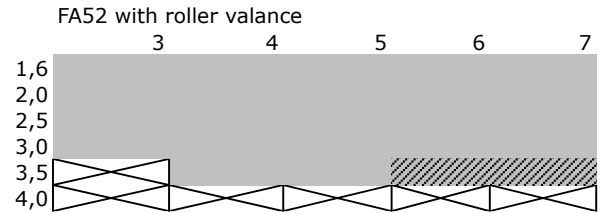
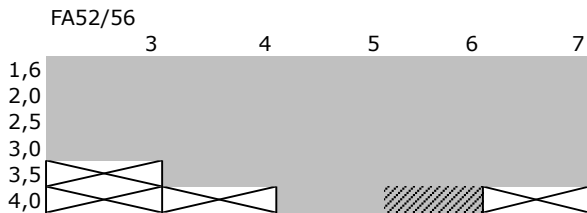
Information EN 13561




Overview Wind Classes

| Class | Wind Strength (Beaufort) | Wind speed (km/h) | Wind speed (m/s) | Pressure (N/m ²) |
|-------|--------------------------|-------------------|------------------|------------------------------|
| 0 | 1-3 | ≤ 19 | ≈5,3 | < 40 |
| 1 | 4 | 20-28 | ≈7,7 | 40 |
| 2 | 5 | 29-38 | ≈10,5 | 70 |

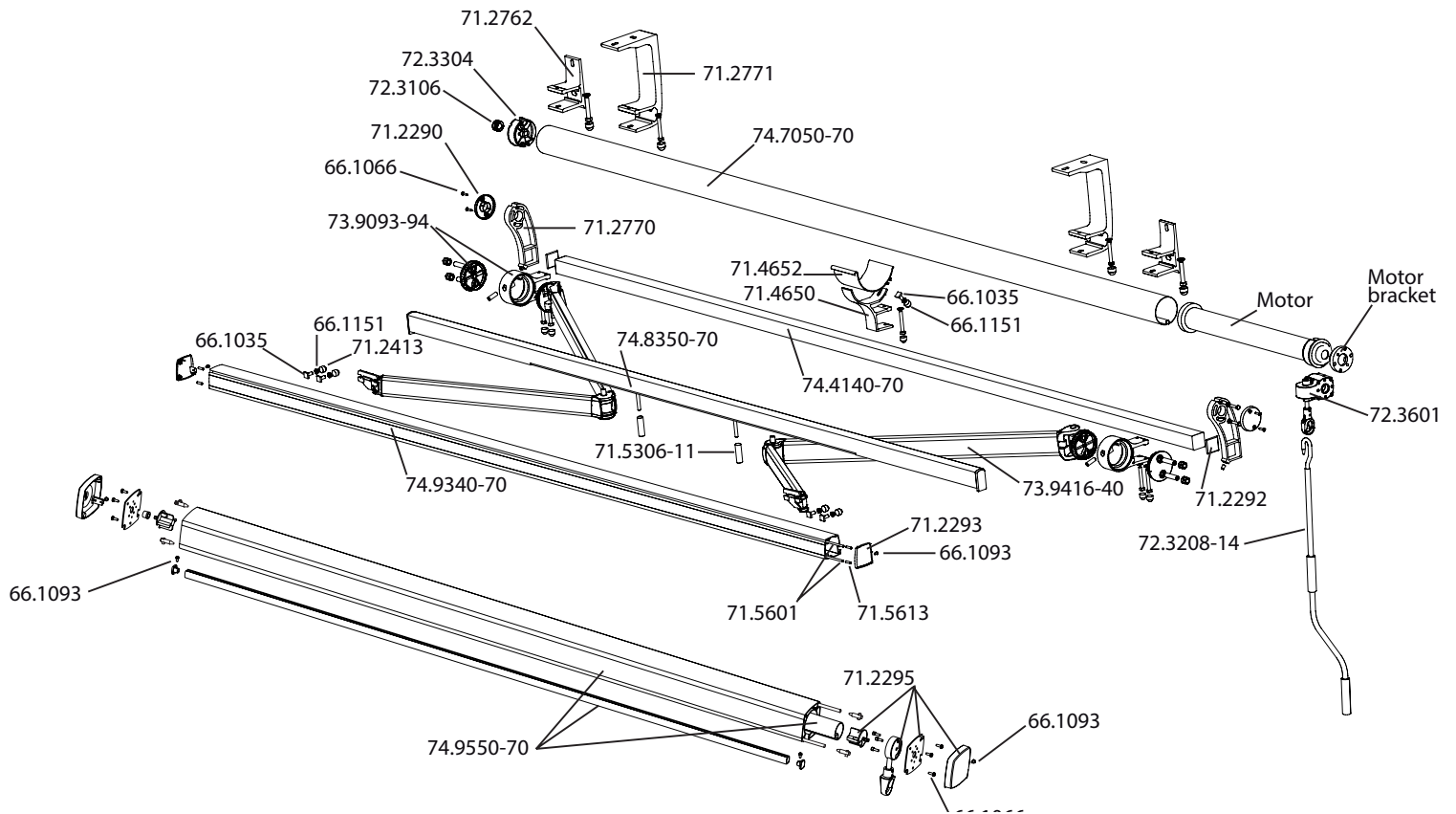
To fulfil the according wind class it is very important that the awning is mounted with the right amount of installation brackets and with suitable fasteners. It must be prevented that the fastening is the weakest link.

Wind classification according to EN13561

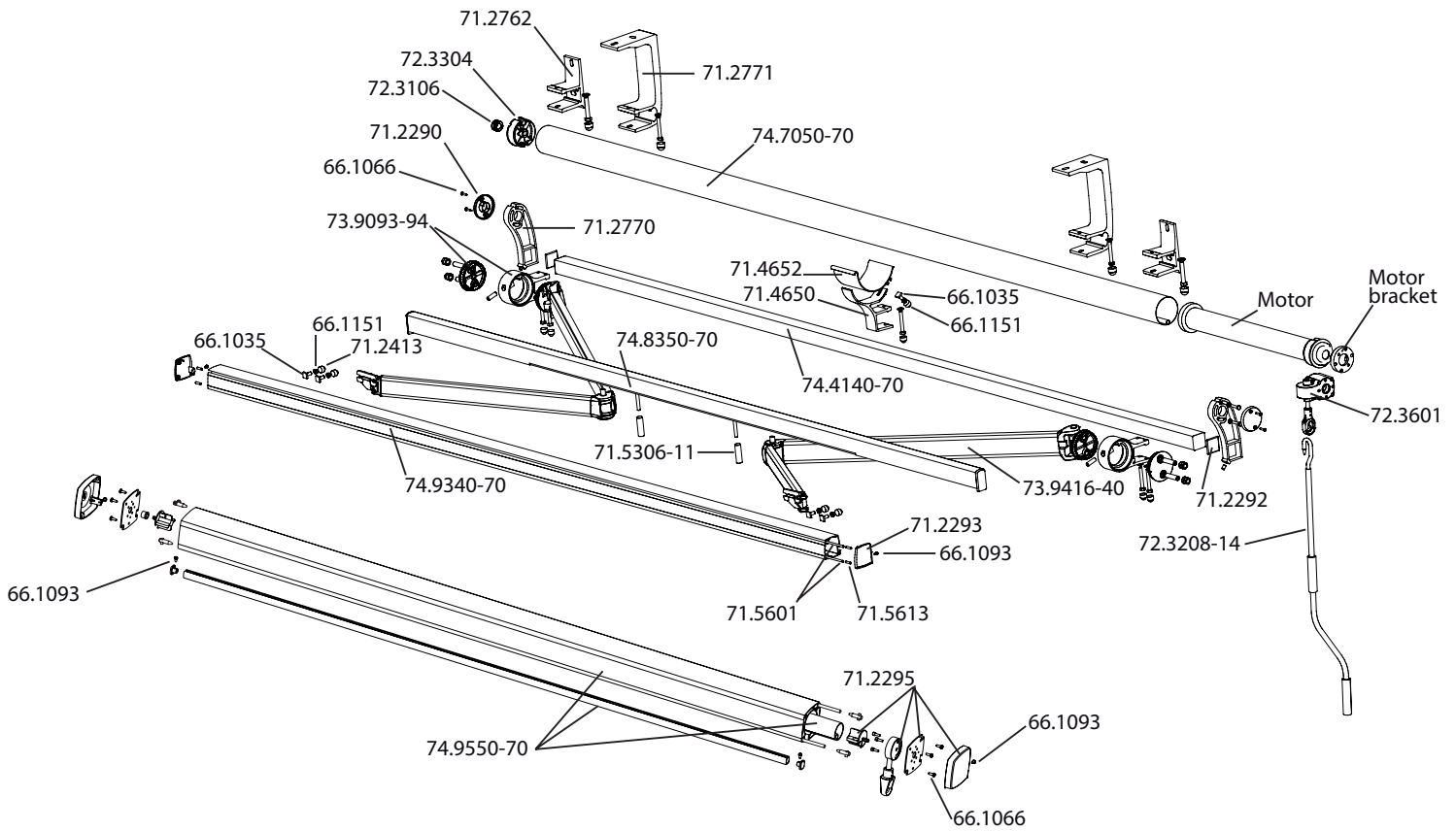


-  Wind class 2
-  Wind class 1
-  Not available

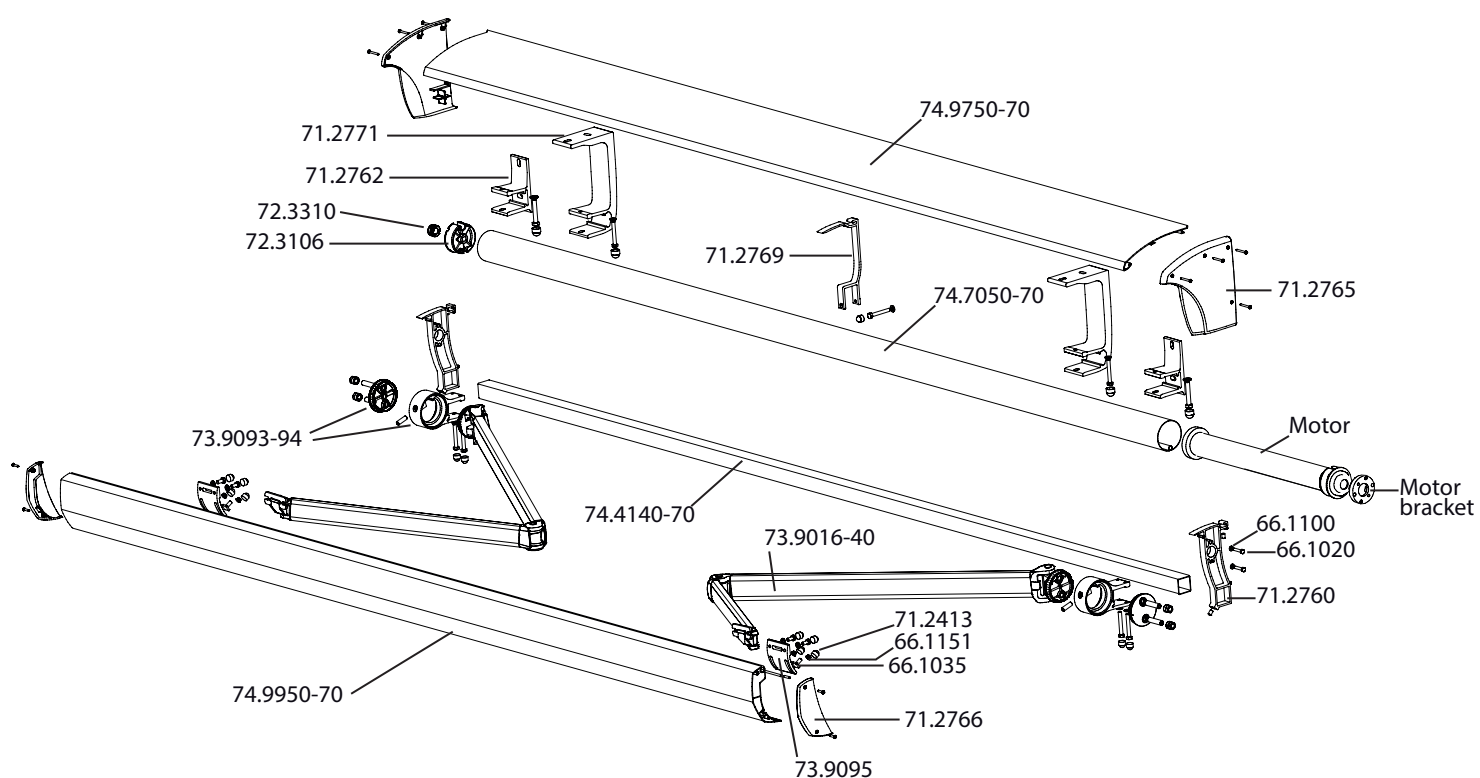
Exploded view FA52



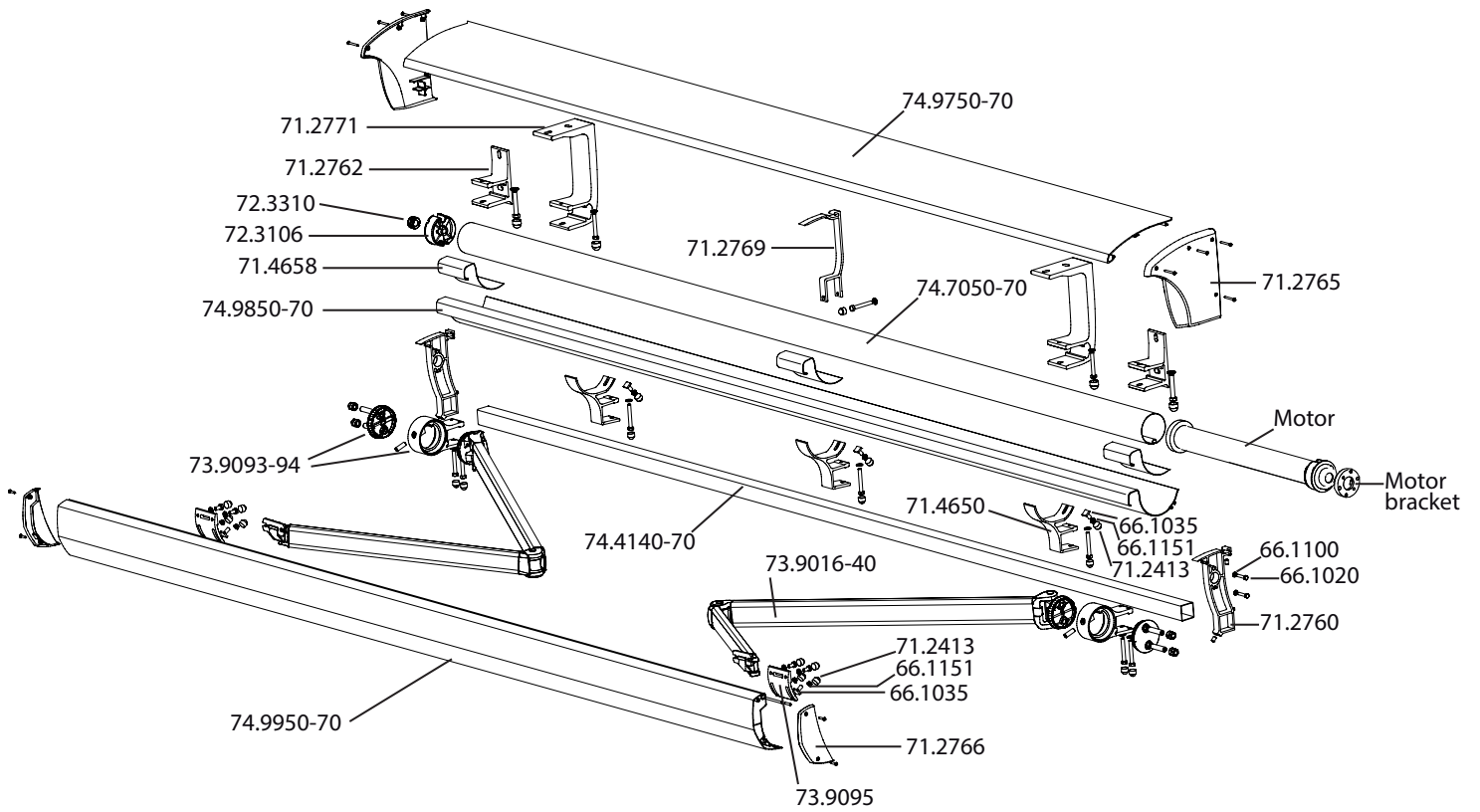
Exploded view FA56

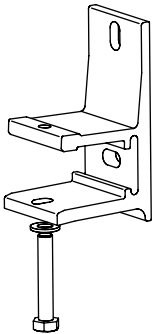
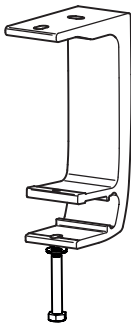
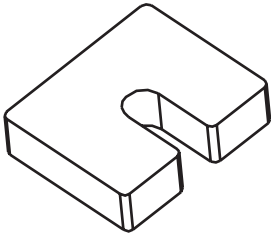
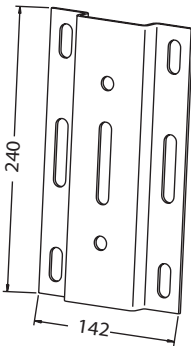


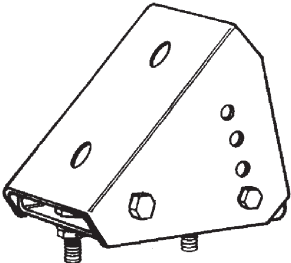
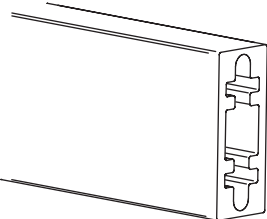
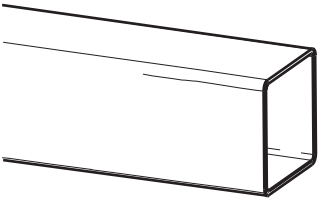
Exploded view FA57

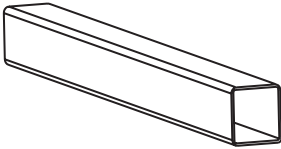
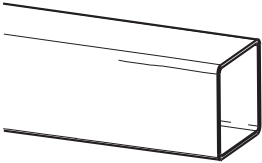
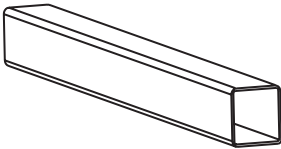
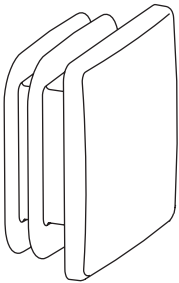


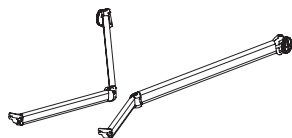
Exploded view FA58



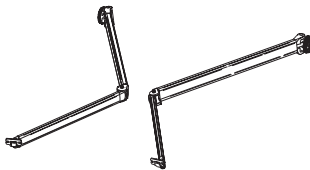
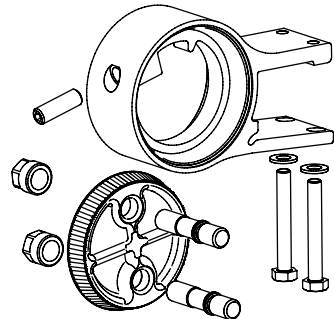
| | Article No. | Description | Note | Stand. pack |
|---|--------------|---|-----------------------------|-------------|
|  | | Installation bracket Wall Aluminium, including screw & washer Monteringskonsol Vagg Aluminium, med skruv & bricka | FA52-58 | |
| | 71.2762.0001 | Vit White | | 30 |
| | 71.2762.0182 | Silver | | 30 |
| | 71.2762.0914 | Svart Black | | 30 |
|  | | Installation bracket Roof Aluminium, including screw and washer Monteringskonsol Tak Aluminium, med skruv and bricka | FA52-58 | |
| | 71.2771.0001 | Vit White | | 6 |
| | 71.2771.0182 | Silver | | 6 |
| | 71.2771.0914 | Svart Black | | 6 |
|  | | Distance piece Aluminium, for installation bracket Distans Aluminium, för monteringskonsol | 15 mm | |
| | 72.2005.0000 | | | 20 |
|  | | Spreader plate Steel, for brackets FA20, FA40 and FA50 Viktfördelningsplatta Stål, för konsoller FA20, FA40 and FA50 | | |
| | | | * 66.1074, 66.1106, 66.1150 | |
| | 71.5104.0001 | Vit White | | 1 |
| | 71.5104.0182 | Silver | | 1 |
| | 71.5104.0914 | Svart Black | | 1 |

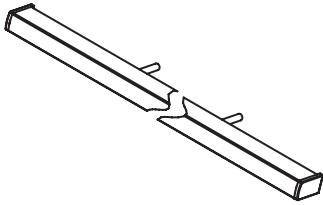
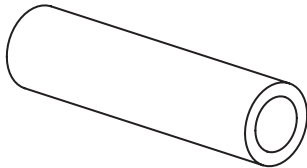
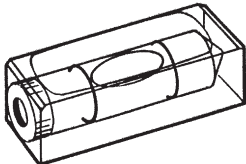
| | Article No. | Description | Note | Stand. pack |
|---|--------------|---|-----------------------|-------------|
|  | | Roof bracket 5° - 45° Steel, incl. screws, for bracket Takstolskonsol 5° - 45° Stål, inkl. skruvar, för konsol | | |
| | 71.5103.0001 | Vit White | | 4 |
| | 71.5103.0182 | Silver | | 4 |
| | 71.5103.0914 | Svart Black | | 4 |
|  | | Distance profile Aluminium Distansprofil Aluminium | "Cut in right length" | |
| | 74.2000.0001 | Vit White, 2 meter lengths | | 1 |
| | 74.2000.0182 | Silver, 2 meter lengths | | 1 |
| | 74.2000.0914 | Svart Black, 2 meter lengths | | 1 |
|  | | Square tube Steel, special zinc plated Bärprofil Stål, specialförsinkat | 40x40x2.0 mm | |
| | 74.4140.0001 | (13'2") Vit White | 1 / 50 x4 m | 4 / 200 m |
| | 74.4140.0182 | (13'2") Silver | 1 / 50 x4 m | 4 / 200 m |
| | 74.4140.0914 | (13'2") Svart Black | 1 / 50 x4 m | 4 / 200 m |
| | 74.4150.0001 | (16'5") Vit White | 1 / 50 x5 m | 5 / 250 m |
| | 74.4150.0182 | (16'5") Silver | 1 / 50 x5 m | 5 / 250 m |
| | 74.4150.0914 | (16'5") Svart Black | 1 / 50 x5 m | 5 / 250 m |
| | 74.4160.0001 | (19'8") Vit White | 1 / 50 x6 m | 6 / 300 m |
| | 74.4160.0182 | (19'8") Silver | 1 / 50 x6 m | 6 / 300 m |
| | 74.4160.0914 | (19'8") Svart Black | 1 / 50 x6 m | 6 / 300 m |
| | 74.4170.0001 | (22'11") Vit White | 1 / 50 x7 m | 7 / 350 m |
| | 74.4170.0182 | (22'11") Silver | 1 / 50 x7 m | 7 / 350 m |
| | 74.4170.0914 | (22'11") Svart Black | 1 / 50 x7 m | 7 / 350 m |

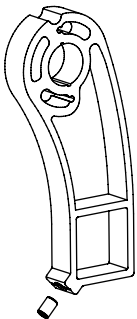
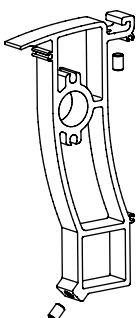
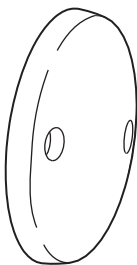
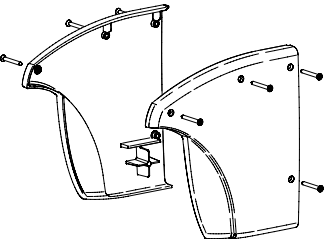
| | Article No. | Description | Note | Stand. pack |
|---|---------------------|---|----------------|-------------|
|  | | Joining piece Steel, zinc plated, for square tube 74.4140 - 70 Skarvstycke Stål, förzinkat, för bärprofil 74.4140 - 70 | 35 x 35 mm | |
| | 77.4772.0000 | L 0.5 m (1'7") | | 1 |
|  | | Square tube Aluminium Bärprofil Aluminium | 40x40x2.5 mm | |
| | 74.4270.0001 | (22'11") Vit White | 10 x7 m | 70 m |
| | 74.4270.0182 | (22'11") Silver | 10 x7 m | 70 m |
| | 74.4270.0914 | (22'11") Svart Black | 10 x7 m | 70 m |
|  | | Joining piece Aluminium, for Alu square tube 74.4270 Bärprofil Aluminium, för Alu bärprofil 74.4270 | 34 x 34 mm | |
| | 71.4410.0000 | | L 0.5 m (1'7") | 1 |
|  | | End cap Polyoxymethylene, for square tube 74.4140 - 70 Ändskydd Polyoxymetylen, för bärprofil 74.4140 - 70 | 40 x 40 mm | |
| | 71.2292.0001 | Vit White | | 40 |
| | 71.2292.0049 | Svart Black | | 40 |
| | 71.2292.0182 | Silver | | 40 |

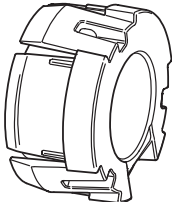
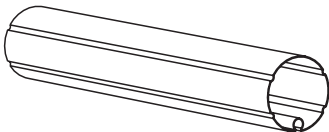
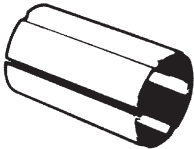
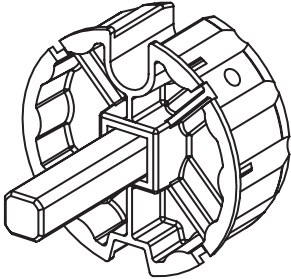


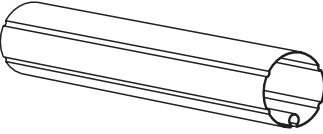
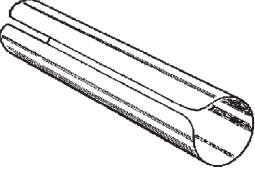
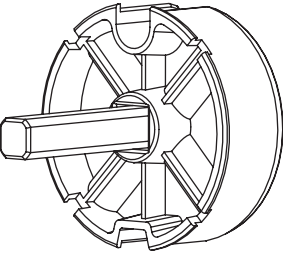
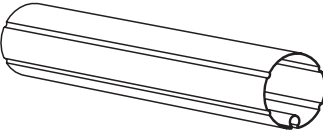
| Article No. | Description | Note | Stand. pack |
|---------------------|---|-------|---------------|
| | Folding arm Complete, with Dyneema-tape connection over both elbow and shoulder 40x40 mm | | |
| | Vikarm Komplett, med Dyneema-band över både knäled och axelled | | |
| | * 66.1035, 66.1151 | | |
| 73.9010.0001 | (3'3") Vit White, Non standard, min 1 pair | 1.0 m | 1 pair |
| 73.9010.0182 | (3'3") Silver, Non standard, min 1 pair | 1.0 m | 1 pair |
| 73.9010.0914 | (3'3") Svart Black, Non standard, min 1 pair | 1.0 m | 1 pair |
| 73.9016.0001 | (5'3") Vit White | 1.6 m | 1 pair |
| 73.9016.0182 | (5'3") Silver | 1.6 m | 1 pair |
| 73.9016.0914 | (5'3") Svart Black | 1.6 m | 1 pair |
| 73.9020.0001 | (6'10") Vit White | 2.0 m | 1 pair |
| 73.9020.0182 | (6'10") Silver | 2.0 m | 1 pair |
| 73.9020.0914 | (6'10") Svart Black | 2.0 m | 1 pair |
| 73.9025.0001 | (8'2") Vit White | 2.5 m | 1 pair |
| 73.9025.0182 | (8'2") Silver | 2.5 m | 1 pair |
| 73.9025.0914 | (8'2") Svart Black | 2.5 m | 1 pair |
| 73.9030.0001 | (9'10") Vit White | 3.0 m | 1 pair |
| 73.9030.0182 | (9'10") Silver | 3.0 m | 1 pair |
| 73.9030.0914 | (9'10") Svart Black | 3.0 m | 1 pair |
| 73.9035.0001 | (11'6") Vit White | 3.5 m | 1 pair |
| 73.9035.0182 | (11'6") Silver | 3.5 m | 1 pair |
| 73.9035.0914 | (11'6") Svart Black | 3.5 m | 1 pair |
| 73.9040.0001 | (13'1") Vit White | 4.0 m | 1 pair |
| 73.9040.0182 | (13'1") Silver | 4.0 m | 1 pair |
| 73.9040.0914 | (13'1") Svart Black | 4.0 m | 1 pair |

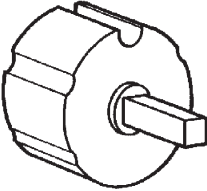
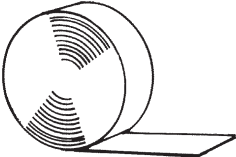
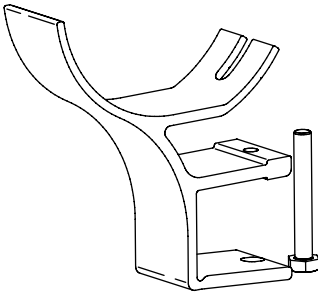
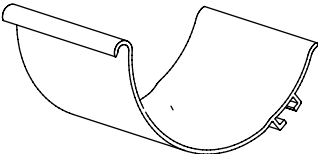
| | Article No. | Description | Note | Stand. pack |
|---|---|--|--|----------------|
|  | | Folding arm for fabric beam 40 x 40 mm Complete, with Dyneema-tape connection over both elbow and shoulder Vikarm för dukbalk Komplet, med Dyneema-band över både knäled och axelled * 66.1035, 66.1151 | | |
| | 73.9416.0001 | (5'3") Vit White | 1.6 m | 1 pair |
| | 73.9416.0182 | (5'3") Silver | 1.6 m | 1 pair |
| | 73.9416.0914 | (5'3") Svart Black | 1.6 m | 1 pair |
| | 73.9420.0001 | (6'10") Vit White | 2.0 m | 1 pair |
| | 73.9420.0182 | (6'10") Silver | 2.0 m | 1 pair |
| | 73.9420.0914 | (6'10") Svart Black | 2.0 m | 1 pair |
| | 73.9425.0001 | (8'2") Vit White | 2.5 m | 1 pair |
| | 73.9425.0182 | (8'2") Silver | 2.5 m | 1 pair |
| | 73.9425.0914 | (8'2") Svart Black | 2.5 m | 1 pair |
| | 73.9430.0001 | (9'10") Vit White | 3.0 m | 1 pair |
| | 73.9430.0182 | (9'10") Silver | 3.0 m | 1 pair |
| | 73.9430.0914 | (9'10") Svart Black | 3.0 m | 1 pair |
| | 73.9435.0001 | (11'6") Vit White | 3.5 m | 1 pair |
| | 73.9435.0182 | (11'6") Silver | 3.5 m | 1 pair |
| | 73.9435.0914 | (11'6") Svart Black | 3.5 m | 1 pair |
| | 73.9440.0001 | (13'1") Vit White | 4.0 m | 1 pair |
| | 73.9440.0182 | (13'1") Silver | 4.0 m | 1 pair |
| | 73.9440.0914 | (13'1") Svart Black | 4.0 m | 1 pair |
| |  | | Arm holder standard with nuts FA52-58 for FA40-50 folding arms Armhållare standard med mutter för FA40-50 vikarmar | |
| 73.9093.0001 | | Vit White | | 1 pair |
| 73.9093.0182 | | Silver | | 1 pair |
| 73.9093.0914 | | Svart Black | | 1 pair |
| 73.9094.0001 | | Vit White | | 4 pairs |
| 73.9094.0182 | | Silver | | 4 pairs |
| 73.9094.0914 | | Svart Black | | 4 pairs |

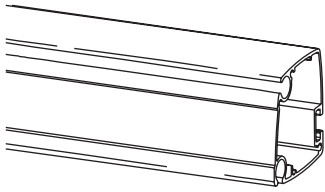
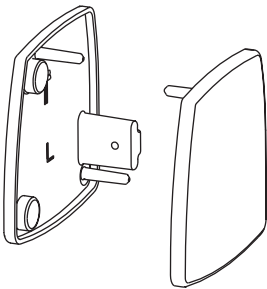
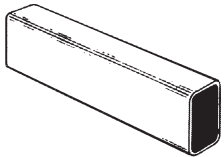
| | Article No. | Description | Note | Stand. pack |
|---|---------------------|---|------------|-------------|
|  | | Fabric beam Aluminium, complete Dukbalk Aluminium, komplett | 30 x 60 mm | |
| | 74.8350.0001 | (16'1") Vit White | 1 x4.92 m | 1 |
| | 74.8350.0182 | (16'1") Silver | 1 x4.92 m | 1 |
| | 74.8350.0914 | (16'1") Svart Black | 1 x4.92 m | 1 |
| | 74.8370.0001 | (22'8") Vit White | 1 x6.92 m | 1 |
| | 74.8370.0182 | (22'8") Silver | 1 x6.92 m | 1 |
| | 74.8370.0914 | (22'8") Svart Black | 1 x6.92 m | 1 |
|  | | Sleeve Aluminium, for folding arm 73.9416 - 40 Hylsa Aluminium, för vikarm 73.9416 - 40 | | |
| | 71.5306.0001 | Vit White, for projection 1.5 m - 2.0 m | 60 mm | 10 |
| | 71.5306.0182 | Silver, for projection 1.5 m - 2.0 m | 60 mm | 10 |
| | 71.5306.0914 | Svart Black, for projection 1.5 m - 2.0 m | 60 mm | 10 |
| | 71.5308.0001 | Vit White, for projection 2.5 m - 3.0 m | 80 mm | 10 |
| | 71.5308.0182 | Silver, for projection 2.5 m - 3.0 m | 80 mm | 10 |
| | 71.5308.0914 | Svart Black, for projection 2.5 m - 3.0 m | 80 mm | 10 |
| | 71.5309.0001 | Vit White, for projection 3.5 - 4.0 m | 90 mm | 10 |
| | 71.5309.0182 | Silver, for projection 3.5 - 4.0 m | 90 mm | 10 |
| | 71.5309.0914 | Svart Black, for projection 3.5 - 4.0 m | 90 mm | 10 |
| | 71.5311.0001 | Vit White, for special applications | 110 mm | 10 |
| | 71.5311.0182 | Silver, for special applications | 110 mm | 10 |
| | 71.5311.0914 | Svart Black, for special applications | 110 mm | 10 |
|  | | Spirit level PMMA, for front tube 74.5340 - 70 Libell PMMA, för frontprofil 74.5340 - 70 | | |
| | 71.5402.0000 | | | 1 |

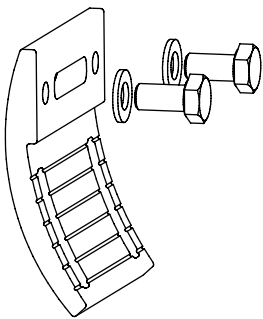
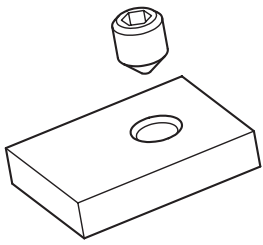
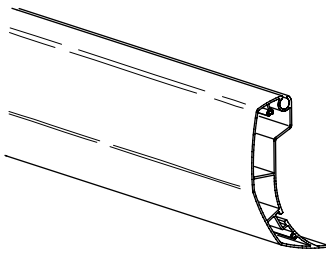
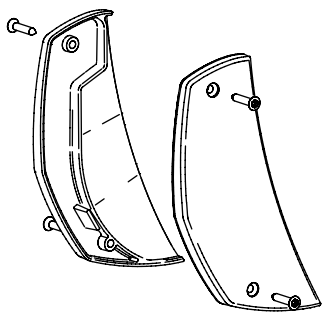
| | Article No. | Description | Note | Stand. pack |
|---|--------------|---|---------|-------------|
|  | | End bracket Aluminium, including premounted screw Gavelbeslag Aluminium, med förmonterad stoppskruv | FA52 | |
| | 71.2770.0001 | Vit White | | 40 |
| | 71.2770.0182 | Silver | | 40 |
| | 71.2770.0914 | Svart Black | | 40 |
|  | | End bracket Aluminium, including premounted screw Gavelbeslag Aluminium, med förmonterad stoppskruv | FA58 | |
| | 71.2760.0001 | Vit White | | 40 |
| | 71.2760.0182 | Silver | | 40 |
| | 71.2760.0914 | Svart Black | | 40 |
|  | | End cap Round ASA, for end bracket 71.2790/71.2780/71.2770 Ändskydd Runt ASA, för gavelbeslag 71.2790/71.2780/71.2770 | | |
| | | *66.1066 | | |
| | 71.2290.0001 | Vit White | | 40 |
| | 71.2290.0049 | Svart Black | | 40 |
| 71.2290.0182 | Silver | | 40 | |
|  | | End cover Aluminium, for hood profile 74.9750 - 70 and End bracket 71.2760 Gavel Aluminium, för takprofil 74.9750 - 70 and Gavelbeslag 71.2760 | FA58 | |
| | | <i>Including screws</i> | | |
| | 71.2765.0001 | Vit White | | 6 pairs |
| | 71.2765.0182 | Silver | | 6 pairs |
| 71.2765.0914 | Svart Black | | 6 pairs | |

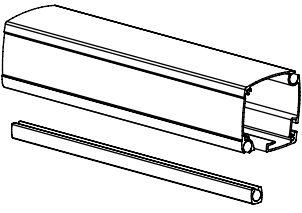
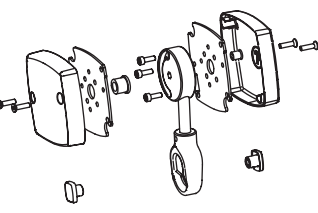
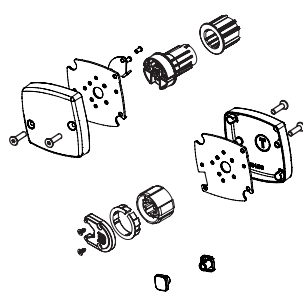
| | Article No. | Description | Note | Stand. pack |
|---|--------------|---|----------------------------|-------------|
|  | 72.3106.0000 | Bushing Self lubricating polyamide, for end brackets Lagerbussning Självsmörjande polyamid, för gavelbeslag | Sq 12.7 mm (1/2") | 20 |
| | | 15/27mm | | |
|  | 74.6050.0000 | Roller tube Steel, special zinc plated Valsrör Stål, specialförzinkat | ø 70x1.0 mm | 5 / 195 m |
| | 74.6070.0000 | (16'5") (22'11") | 1 / 39 x5 m 1 / 39 x7 m | 7 / 273 m |
|  | 71.4301.0000 | Joining piece Steel, zinc plated, for roller tube 74.6040 - 70 Skarvprofil Stål, förzinkat, för valsrör 74.6040 - 70 Kupplung Stahl, verzinkt, für Tuchwelle 74.6040 - 70 | ø 68x1.0 mm | 1 |
|  | 72.3310.0000 | Drive bushing Zinc, for roller tube 74.6050 - 70 / 74.6650 - 70 Drivbussning Zink, för valsrör 74.6050 - 70 / 74.6650 - 70 | ø 70 mm | 10 |
| | 72.3102.0000 | | Shaft 15 mm | 10 |
| | 72.3115.0000 | | Shaft 22 mm | 10 |
| | 72.3307.0000 | | Shaft 40 mm | 10 |
| | | Can be combined with 72.3101 for series connection | Shaft 120 mm | 10 |

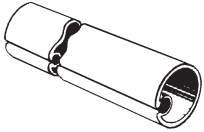
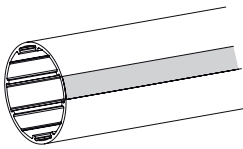
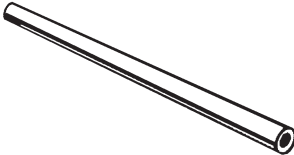
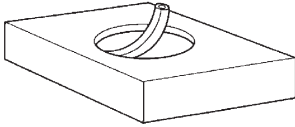
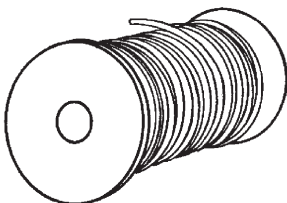
| | Article No. | Description | Note | Stand. pack |
|---|---------------------|--|--------------|------------------|
|  | | Roller tube Steel, special zinc plated Valsrör Stål, specialförszinkat | ø 78x1.0 mm | |
| | 74.7050.0000 | (16'5") | 1 / 28 x5 m | 5 / 140 m |
| | 74.7070.0000 | (22'11") | 1 / 28 x7 m | 7 / 196 m |
|  | | Joining piece Steel, zinc plated, for roller tube 74.7040 - 70 Skarvprofil Stål, förszinkat, för valsrör 74.7040 - 70 Kupplung Stahl, verzinkt, für Tuchwelle 74.7040 - 70 | ø 76x1.0 mm | |
| | 71.4302.0000 | L 0.5 m (1'7") | | 1 |
|  | | Drive bushing Zinc, for roller tube 74.7050 - 70 Drivbussning Zink, för valsrör 74.7050 - 70 | ø 78 mm | |
| | 72.3304.0000 | | Shaft 22 mm | 10 |
| | 72.3302.0000 | | Shaft 40 mm | 10 |
| | 72.3308.0000 | Can be combined with 72.3116 for series connection | Shaft 120 mm | 10 |
|  | | Roller tube Steel, special zinc plated Valsrör Stål, specialförszinkat | ø 85x1.25 mm | |
| | 74.8560.0000 | (19'8") | 1 / 23 x6 m | 6 / 138 m |
| | 74.8570.0000 | (22'11") | 1 / 23 x7 m | 7 / 161 m |

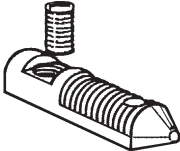
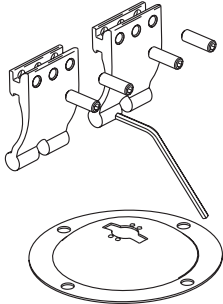
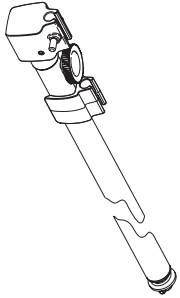
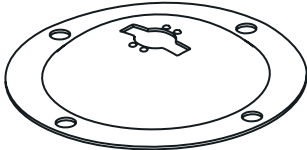
| | Article No. | Description | Note | Stand. pack |
|---|--------------|---|-------------|-------------|
|  | | Drive bushing Polyamide, for roller tube 74.8550 - 70 Drivbussning Polyamid, för valsör 74.8550 - 70 | ø 85 mm | |
| | 72.3305.0000 | For Gear | Shaft 33 mm | 10 |
| | 72.3312.0000 | For Motor | Shaft 20 mm | 10 |
|  | | Woven tape roller tube For use on visible part of roller tube Vävtejp valsör För användning på synlig del av valsör | width: 50mm | |
| | 71.2307.0001 | Vit White | length: 50m | 1 |
| | 71.2307.0049 | Svart Black | length: 50m | 1 |
| | 71.2307.0182 | Silver | length: 50m | 1 |
|  | | Support holder Aluminium, for support profile 74.9850 - 70 and Centre support 71.4652 Stödhållare Aluminium, för stödprofil 74.9850 - 70 och Stödlager 71.4652 | FA52-58 | |
| | 71.4650.0001 | Vit White | | 12 |
| | 71.4650.0182 | Silver | | 12 |
| | 71.4650.0914 | Svart Black | | 12 |
|  | | Centre support Aluminium, tufram Stödlager Aluminium, tufram | FA52 | |
| | 71.4652.0000 | | | 6 |

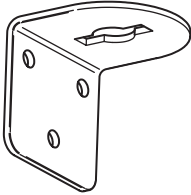
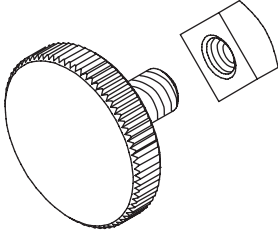

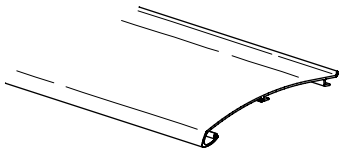
| | Article No. | Description | Note | Stand. pack |
|---|----------------------|--|-----------------|-----------------|
|  | | Front tube Aluminium Frontprofil Aluminium | 59 x 57 mm | |
| | 74.9340.0001 | (13'2") Vit White | 6 x 4m | 24 m |
| | 74.9340.0182 | (13'2") Silver | 6 x 4m | 24 m |
| | 74.9340.0914 | (13'2") Svart Black | 6 x 4m | 24 m |
| | 74.9350.0001 | (16'5") Vit White | 6 x 5m | 30 m |
| | 74.9350.0182 | (16'5") Silver | 6 x 5m | 30 m |
| | 74.9350.0914 | (16'5") Svart Black | 6 x 5m | 30 m |
| | 74.9360.0001 | (19'8") Vit White | 6 x 6m | 36 m |
| | 74.9360.0182 | (19'8") Silver | 6 x 6m | 36 m |
| | 74.9360.0914 | (19'8") Svart Black | 6 x 6m | 36 m |
| | 74.9370.0001 | (22'11") Vit White | 6 x 7m | 42 m |
| | 74.9370.0182 | (22'11") Silver | 6 x 7m | 42 m |
| 74.9370.0914 | (22'11") Svart Black | 6 x 7m | 42 m | |
|  | | End cap Polyethylene, for front tube 74.9340 - 70 Ändskydd Polyeten, för frontprofil 74.9340- 70 | | |
| | | * 66.1093 | | |
| | 71.2293.0001 | Vit White | | 40 pairs |
| | 71.2293.0049 | Svart Black | | 40 pairs |
| 71.2293.0182 | Silver | | 40 pairs | |
|  | | Joining piece Steel, zinc plated, for front tube 74.9340 - 70 Skarvprofil Stål, förzinkat, för frontprofil 74.9340 - 70 | | |
| | 71.4493.0000 | L 0.5 m (1' 7") | | 1 |

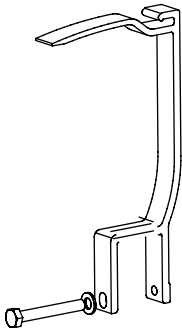
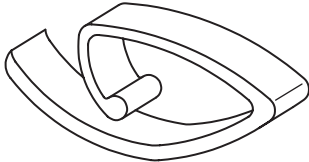
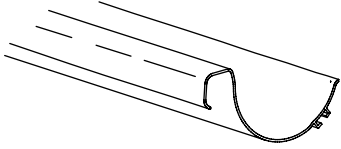
| | Article No. | Description | Note | Stand. pack |
|---|---------------------|---|-----------------|----------------|
|  | | Adjusting unit nose part Aluminium, for front profile 74.9950 - 70 Justerenhet frontfäste Aluminium, för frontprofil 74.9950 - 70 <i>Including screws and washers</i> | FA58 | |
| | 73.9095.0001 | Vit White | | 24 |
| | 73.9095.0182 | Silver | | 24 |
| | 73.9095.0914 | Svart Black | | 24 |
|  | | Adjustment stop Aluminium Stopplack Aluminium | FA58 & FA92 Duo | |
| | 66.9095.0000 | | | 24 |
|  | | Front tube Aluminium Frontprofil Aluminium | FA58 | |
| | 74.9950.0001 | (16'5") Vit White | 4 x5 m | 20 m |
| | 74.9950.0182 | (16'5") Silver | 4 x5 m | 20 m |
| | 74.9950.0914 | (16'5") Svart Black | 4 x5 m | 20 m |
| | 74.9970.0001 | (22'11") Vit White | 4 x7 m | 28 m |
| | 74.9970.0182 | (22'11") Silver | 4 x7 m | 28 m |
| | 74.9970.0914 | (22'11") Svart Black | 4 x7 m | 28 m |
|  | | End cap Zinc, for front profile 74.9950 - 70 Ändskydd Zink, för frontprofil 74.9950 - 70 <i>Including screws</i> | FA58 | |
| | 71.2766.0001 | Vit White | | 6 pairs |
| | 71.2766.0182 | Silver | | 6 pairs |
| | 71.2766.0914 | Svart Black | | 6 pairs |

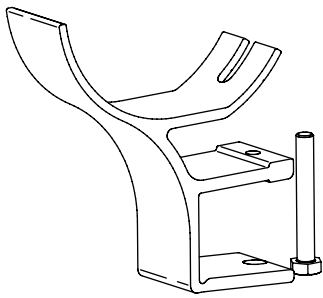
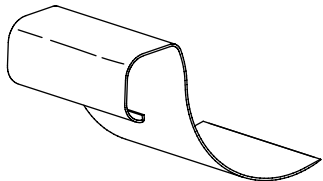
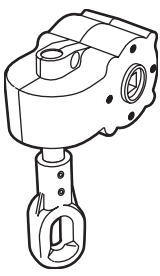
| | Article No. | Description | Note | Stand. pack |
|---|---------------------|---|------------|-------------|
|  | | Front tube Roller Kit Aluminium, contains Front Profile, Bottom Bar Frontprofil Rullgardin Sats Aluminium, innehåller Frontprofil, Bottenprofil | 75 x 75 mm | |
| | 74.9650.0001 | (16'5") Vit White | 1 x5 m | 1 |
| | 74.9650.0182 | (16'5") Silver | 1 x5 m | 1 |
| | 74.9650.0914 | (16'5") Svart Black | 1 x5 m | 1 |
| | 74.9670.0001 | (22'11") Vit White | 1 x7 m | 1 |
| | 74.9670.0182 | (22'11") Silver | 1 x7 m | 1 |
| | 74.9670.0914 | (22'11") Svart Black | 1 x7 m | 1 |
|  | | End cap component Kit Gear for front profile kit 74.9650/70. Contains End Caps, Gables, bushings & gear Ändskydd komponent sats Växel för frontprofil sats 74.9650/70. Innehåller Ändskydd, gavlar, bussningar & växel | For Gear | |
| | | * 66.1066 | | |
| | 71.9601.0001 | Vit White | | 1 |
| | 71.9601.0182 | Silver | | 1 |
| 71.9601.0914 | Svart Black | | 1 | |
|  | | End cap component Kit Motor for front profile kit 74.9650/70. Contains end caps, gables & bushings Ändskydd komponent sats Motor för frontprofil sats 74.9650/70. Innehåller ändskydd, gavlar & bussningar | For Motor | |
| | | * 66.1066 | | |
| | 71.9602.0001 | Vit White | | 1 |
| | 71.9602.0182 | Silver | | 1 |
| 71.9602.0914 | Svart Black | | 1 | |

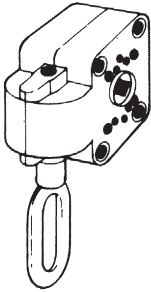
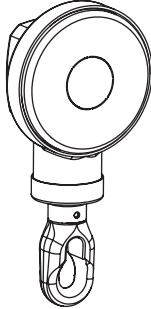
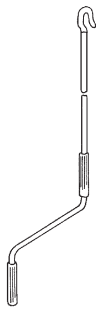
| | Article No. | Description | Note | Stand. pack |
|---|---------------------|---|--------------------------------------|-------------------|
|  | 74.6707.0100 | <p>Roller tube Aluminium, for front tube roller and gear</p> <p>Valsrör Aluminium, för rullgardins sats och växel</p> <p>(19'8") 6 mm locking profile</p> | <p>ø 39x2.0 mm</p> <p>1 x7 m</p> | 7 m |
|  | 74.6704.0100 | <p>Roller tube Aluminium, for front tube roller and motor</p> <p>Valsrör Aluminium, för rullgardins sats och motorisering</p> <p>(19'8") 6 mm locking profile</p> | <p>ø 44, for motor</p> <p>1 x7 m</p> | 7 m |
|  | 71.5601.0000 | <p>Locking profile PVC, hard, for locking of fabric</p> <p>Låsprofil PVC, hård, för låsning av duk</p> <p>(19'8")</p> | <p>ø 6 mm</p> <p>24 / 240 x6 m</p> | 144/1440 m |
|  | 77.6600.0000 | <p>Locking profile Polyethylene, medium, for locking of fabric</p> <p>Låsprofil Polyeten, halvhård, för låsning av duk</p> <p>(1640')</p> | <p>ø 6 mm</p> | 500 m |
|  | 77.6601.0000 | <p>Locking profile Polyethylene, soft, for locking of fabric</p> <p>Låsprofil Polyeten, mjuk, för låsning av duk</p> <p>(656ft)</p> | <p>ø 6 mm</p> | 450 m |

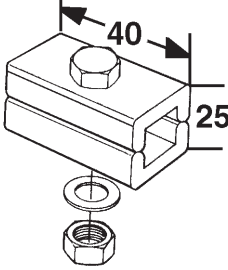
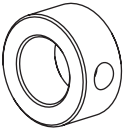
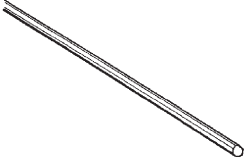
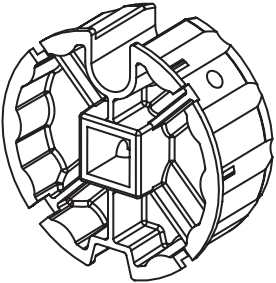
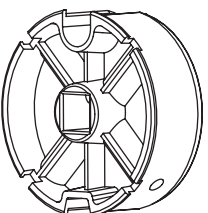
| | Article No. | Description | Note | Stand. pack |
|---|------------------------------|---|---------|-------------|
|  | 71.5613.0000 | <p>Fabric lock Zinc, chromated, with screw</p> <p>Duklås Zink, kromatiserad, med skruv</p> | ø 8 mm | 100 |
|  | 73.2601.0000 | <p>Installation kit Stainless steel, for telescopic support 73.2600/08</p> <p>Monteringskit Rostfritt stål, för teleskopstag 73.2600/08</p> | FA52/56 | 1 |
|  | 73.2608.0000 73.2600.0000 | <p>Telescopic support Aluminium, for front profile</p> <p>Teleskopstag Aluminium, för frontprofil</p> | FA52/56 | 1 1 |
|  | 73.2603.0000 | <p>Base Plate Stainless steel, for telescopic support 73.2600/08</p> <p>Basplatta Rostfritt stål, för teleskopstag 73.2600/08</p> | | 1 |

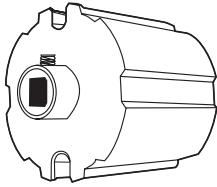

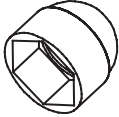
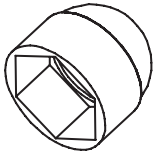
| | Article No. | Description | Note | Stand. pack |
|---|--------------|---|-----------|-------------|
|  | 73.2606.0000 | <p>Base Plate L-shaped Stainless steel, for telescopic support 73.2600/08</p> <p>Basplatta Vinkel Rostfritt stål, för teleskopstag 73.2600/08</p> | | 1 |
|  | 73.2602.0000 | <p>Knob and nut Spare part for telescopic support 73.2600/08</p> <p>Ratt och mutter Reservdel för teleskopstag 73.2600/08</p> | Reservdel | 1 |
|  | 73.2605.0000 | <p>Telescopic Support holder Spare part for telescopic support 73.2600/08</p> <p>Teleskopstagshållare Reservdel för teleskopstag 73.2600/08</p> | Reservdel | 5 |
|  | | <p>Hood profile Aluminium</p> <p>Takprofil Aluminium</p> | FA58 | |
| | 74.9750.0001 | (16'7") Vit White | 4 x 5.05m | 20.2 m |
| | 74.9750.0182 | (16'7") Silver | 4 x 5.05m | 20.2 m |
| | 74.9750.0914 | (16'7") Svart Black | 4 x 5.05m | 20.2 m |
| | 74.9770.0001 | (22'11") Vit White | 4 x 7.05m | 28.2 m |
| | 74.9770.0182 | (22'11") Silver | 4 x 7.05m | 28.2 m |
| | 74.9770.0914 | (22'11") Svart Black | 4 x 7.05m | 28.2 m |

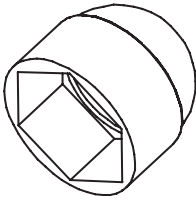
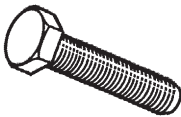
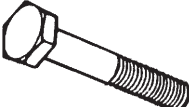
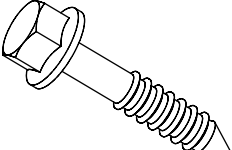
| | Article No. | Description | Note | Stand. pack |
|---|--------------|---|---------|-------------|
|  | | Hood bracket Aluminium, for hood profile 74.9750 - 70 Takhållare Aluminium, för takprofil 74.9750 - 70 | FA58 | |
| | 71.2769.0001 | Vit White | | 12 |
| | 71.2769.0182 | Silver | | 12 |
| | 71.2769.0914 | Svart Black | | 12 |
| | | <i>Including screw</i> | | |
|  | 71.2296.0000 | Support Roof Plastic, for hood profile 74.9750-70 Skoning Tak Plast, för takprofil 74.9750-70 | FA58 | 20 |
| | | | | |
|  | | Support profile Aluminium Stödprofil Aluminium | FA58 | |
| | 74.9850.0001 | (16'7") Vit White | 4 x 5 m | 20 m |
| | 74.9850.0182 | (16'7") Silver | 4 x 5 m | 20 m |
| | 74.9850.0914 | (16'7") Svart Black | 4 x 5 m | 20 m |
| | 74.9870.0001 | (22'11") Vit White | 4 x 7 m | 28 m |
| | 74.9870.0182 | (22'11") Silver | 4 x 7 m | 28 m |
| | 74.9870.0914 | (22'11") Svart Black | 4 x 7 m | 28 m |





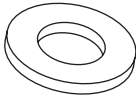
| | Article No. | Description | Note | Stand. pack |
|---|---------------------|---|-------------------|-------------|
|  | | Support holder Aluminium, for support profile 74.9850 - 70 and Centre support 71.4652 Stödhållare Aluminium, för stödprofil 74.9850 - 70 and Stödlager 71.4652 | FA52-58 | |
| | | <i>Including screw</i> | | |
| | 71.4650.0001 | Vit White | | 12 |
| | 71.4650.0182 | Silver | | 12 |
| | 71.4650.0914 | Svart Black | | 12 |
|  | | Centre support PVC, for support profile 74.9850-70 Stödlager PVC, för stödprofil 74.9850-70 | FA58 | |
| | 71.4658.0001 | Vit White | | 24 |
| | 71.4658.0049 | Svart Black | | 24 |
| | 71.4658.0182 | Silver | | 24 |
|  | | Worm gear Zinc, 8.5:1 30 Nm Snäckväxel Zink, 8.5:1 30 Nm | Sq 12.7 mm (1/2") | |
| | | <i>*66.1020, 66.1100</i> | | |
| | 72.3601.0001 | Vit White | Shaft 41 mm | 20 |
| | 72.3601.0182 | Silver | Shaft 41 mm | 20 |
| | 72.3601.0914 | Svart Black | Shaft 41 mm | 20 |
| | 72.3603.0001 | Vit White | Shaft 91 mm | 20 |
| | 72.3603.0182 | Silver Silber | Shaft 91 mm | 20 |
| 72.3603.0914 | Svart Black | Shaft 91 mm | 20 | |

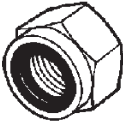



| | Article No. | Description | Note | Stand. pack |
|---|----------------------|--|-------------------|-------------|
|  | | Worm gear Zinc, 13:1 35 Nm Snäckväxel Zink, 13:1 35 Nm | Sq 12.7 mm (1/2") | |
| | 72.3604.0000 | | Shaft 36 mm | 1 |
| | 72.3604.0001 | Vit White | Shaft 36 mm | 1 |
|  | | Bevel gear Zinc, 5:1 30 Nm Skruvväxel Zinc, 5:1 30 Nm | Sq 12.7 mm (1/2") | |
| | 72.3605.0001 | Vit White | Shaft 76 mm | 1 |
| | 72.3605.0049 | Svart Black | Shaft 76 mm | 1 |
| | 72.3605.7035 | Silver | Shaft 76 mm | 1 |
|  | | Crank handle Steel, with handles in ABS Vev Stål, med handtag i ABS | | |
| | 72.3208.0001 | 0.8 m (2'8") Vit White | | 1 |
| | 72.3208.0049 | 0.8 m (2'8") Svart Black | | 1 |
| | 72.3208.7035 | 0.8 m (2'8") Silver | | 1 |
| | 72.3212.7035 | 1.2 m (3'11") Silver | | 10 |
| | 72.3214.7035 | 1.4 m (4'7") Silver | | 10 |
| | 72.3216.0001 | 1.6 m (5'3") Vit White | | 10 |
| | 72.3216.0049 | 1.6 m (5'3") Svart Black | | 10 |
| | 72.3216.7035 | 1.6 m (5'3") Silver | | 10 |
| | 72.3218.7035 | 1.8 m (5'11") Silver | | 10 |
| 72.3224.7035 | 2.4 m (7'10") Silver | | 10 | |

| Article No. | Description | Note | Stand. pack |
|---|---|-------------------|-------------|
|  | <p>Serie connection fitting Steel, zinc plated, incl. screw, washer and nut</p> <p>Seriekopplingsbeslag Stål, förzinkad, inkl. skruv,bricka och mutter</p> | Sq 12.7 mm (1/2") | 20 |
|  | <p>Stop ring Steel, zinc plated, for square shaft 71.3704</p> <p>Stoppning Stål, förzinkat, för fyrkantsaxel 71.3704</p> | Ø 15 mm | 1 |
|  | <p>Square shaft Steel, zinc plated, for series connection</p> <p>Fyrkantsaxel Stål, förzinkat, för seriekoppling</p> | Sq 12.7 mm (1/2") | 3.0 m |
|  | <p>Series connection bushing, threaded Zinc, for roller tube 74.6050 - 70 / 74.6650 - 70</p> <p>Seriekopplingsbussning, gängad Zink, för valsör 74.6050 - 70 / 74.6650 - 70</p> | ø 70 mm | 16 |
|  | <p>Series connection bushing, threaded Zinc, for roller tube 74.7040 - 70</p> <p>Seriekopplingsbussning, gängad Zink, för valsör 74.7040 - 70</p> | ø 78 mm | 10 |

| | Article No. | Description | Note | Stand. pack |
|---|--|---|-----------------------|---|
|  | <p>72.3110.0000</p> | <p>Series connection bushing, threaded Aluminium, incl. screw, for roller tube 74.8560 - 70</p> <p>Seriekopplingsbussning, gängad Aluminium, inkl. skruv, för valsör 74.8560 - 70</p> <p>Can be combined with 72.3306 for series connection</p> | <p>ø 85 mm</p> | <p>1</p> |
|  | <p>77.9900.0000 77.9901.0000</p> | <p>Plastic hose Polyethylene, for packaging of components</p> <p>Plastslang Polyeten, för emballering av komponenter</p> <p>(1640ft) W 0.23 m (9"), Thickness 0.10 mm (1640') W 0.5m (1'7"), Thickness 0.10 mm</p> | | <p>500 m 500 m</p> |
|  | <p>71.2410.0001 71.2410.0049 71.2410.0182</p> | <p>Plastic cover Polyethylene</p> <p>Plastskydd Polyeten</p> <p>Vit White Svart Black Silver</p> | <p>Hex 10 mm (M6)</p> | <p>100 100 100</p> |
|  | <p>71.2413.0001 71.2413.0049 71.2413.0182</p> | <p>Plastic cover Polyethylene</p> <p>Plastskydd Polyeten</p> <p>Vit White Svart Black Silver</p> | <p>Hex 13 mm (M8)</p> | <p>100 100 100</p> |

| | Article No. | Description | Note | Stand. pack |
|---|--------------|--|-----------------------------|-------------|
|  | | Plastic cover Polyethylene Plastskydd Polyeten | Hex 17 mm (M10) | |
| | 71.2417.0001 | Vit White | | 100 |
| | 71.2417.0049 | Svart Black | | 100 |
| | 71.2417.0182 | Silver | | 100 |
|  | 66.1020.0000 | Bolt Stainless steel Skruv Rostfritt stål | Spanner 10 mm M6x30 | 100 |
| | 66.1061.0000 | Bolt Stainless steel Skruv Rostfritt stål | Spanner 10 mm M6x50 | 100 |
|  | 66.1074.0000 | Bolt Stainless steel Skruv Rostfritt stål | Spanner 17 mm M10x25 | 100 |
| | | Non-stock item, min qty 100 pc | | |
|  | 66.1207.0000 | Screw for installation Steel, Protect 4 Monteringsskruv Stål, Protect 4 | Spanner 13 mm 10x90 | 50 |
| | 66.1209.0000 | | 10x120 | 25 |
| | | | | |

| | Article No. | Description | Note | Stand. pack |
|---|--------------|--|-----------------------------|-------------|
|  | 66.1035.0000 | <p>T-slot bolt Stainless steel, Dacrolit</p> <p>T-spårskruv Rostfritt stål, Dacrolit</p> | Spanner 15 mm M8x18 | 100 |
|  | 66.1066.0000 | <p>Screw Stainless steel</p> <p>Skruv Rostfritt stål</p> | Torx T20 B8x19 | 1000 |
|  | 66.1093.0000 | <p>Screw Stainless steel, thread-forming for plastic</p> <p>Skruv Rostfritt stål, gängformande för plast</p> | Torx T20 TP 4.0x8 | 100 |
|  | 66.1045.0000 | <p>Screw Steel, zinc plated, with thread lock</p> <p>Skruv Stål, förzinkat, med gänglåsning</p> | Allen key 3 mm M6x12 | 200 |
|  | 66.1100.0000 | <p>Washer Stainless steel</p> | 6.7x14x1.5 | 100 |
| | 66.1106.0000 | <p>Bricka Rostfritt stål</p> | 10.5x20x2.0 | 100 |

| | Article No. | Description | Note | Stand. pack |
|---|--------------|---|---------------|-------------|
|  | 66.1153.0000 | Lock nut Stainless steel | Spanner 10 mm | 200 |
| | | Låsmutter Rostfritt stål | | |
|  | 66.1150.0000 | Nut Stainless steel | Spanner 17 mm | 100 |
| | | Mutter Rostfritt stål | | |
|  | 66.1151.0000 | Flange nut Stainless steel, zinc plated | Spanner 13 mm | 100 |
| | | Flänsmutter Rostfritt stål, förzinkat | | |
|  | 71.2308.0001 | Paint 20 ml for improvement with paint of profiles and castings | | 1 |
| | 71.2308.0182 | Bättringsfärg för bättring av färg på profiler och gjutgods | | 1 |
| | 71.2308.0914 | Vit White | | 1 |
| | | Silver | | |
| | | Svart Black | | |

Cross reference

| Description | Article No. | Articles for assembly | Quantity |
|---------------------------------|--------------------|------------------------------|-----------------|
| End cap round | 71.2290 | 66.1066 | 2 |
| End cap front profile | 71.2293 | 66.1093 | 2 |
| End cap comp kit Roller valance | 71.2295 | 66.1066 | 6 |
| | | 66.1093 | 2 |
| Gear | 72.3601/04 | 66.1020 | 2 |
| Gear | 72.3608 | 66.1061 | 2 |
| Bracket center support | 71.4650 | 66.1035 | 1 |
| | | 66.1151 | 1 |
| Spreader plate | 71.5104 | 66.1074 | 1 |
| | | 66.1106 | 1 |
| | | 66.1150 | 1 |
| Series connection bushing | 72.3101 | 66.1045 | 1 |
| Series connection bushing | 72.3116 | 66.1045 | 1 |
| Folding arms | 73.9016-40 | 66.1035 | 4 |
| Folding arms fabric beam | 73.9416-40 | 66.1035 | 4 |
| | | 66.1151 | 4 |

Fabrication guideline FA50 -series

FA52-58

Folding arm, installation bracket and centre support per roller tube and awning width

| | Width (m) | ≤4 | ≤5 | ≤6 | ≤7 |
|-------------------------------------|-----------|----|----|----|----|
| No. of installation brackets | 1,6 m | 2 | 2 | 4 | 6 |
| | 2,0 m | 2 | 2 | 4 | 6 |
| | 2,5 m | 2 | 4 | 4 | 6 |
| | 3,0 m | 4 | 4 | 4 | 6 |
| | 3,5 m | 4 | 4 | 5 | 6 |
| | 4,0 m | 4 | 5 | 5 | / |

| | Width (m) | ≤4 | ≤5 | ≤6 | ≤7 |
|----------------------------|-----------|----|----|----|----|
| No. of Folding arms | | 2 | 2 | 2 | 3 |

| | Width (m) | ≤4 | ≤5 | ≤6 | ≤7 |
|---|-----------|----|----|----|----|
| FA52 No. of Centre Support Rollers tube Ø70 mm | | 0 | 2 | 2 | 2 |

| | | | | | |
|---|--|---|---|---|---|
| FA52 No. of Centre Support Rollers tube Ø78 mm | | 0 | 0 | 2 | 2 |
|---|--|---|---|---|---|

| | | | | | |
|---|--|---|---|---|---|
| FA52 No. of Centre Support Rollers tube Ø85 mm | | 0 | 0 | 0 | 0 |
|---|--|---|---|---|---|

| | | | | | |
|---|--|---|---|---|---|
| FA57 No. of Centre Support Rollers tube Ø78 mm | | 0 | 0 | 0 | 0 |
|---|--|---|---|---|---|

| | Width (m) | ≤4 | ≤5 | ≤6 | ≤7 |
|--|-----------|----|------------------|----|----|
| FA58 No. of Centre Support Cassette Roller tube Ø78 or Ø85 mm | | | | | |
| | | | Each Seam | | |

| | | | | | |
|--|--|---|---|---|---|
| FA57/58 No. of Cassette holders | | 3 | 3 | 4 | 4 |
|--|--|---|---|---|---|

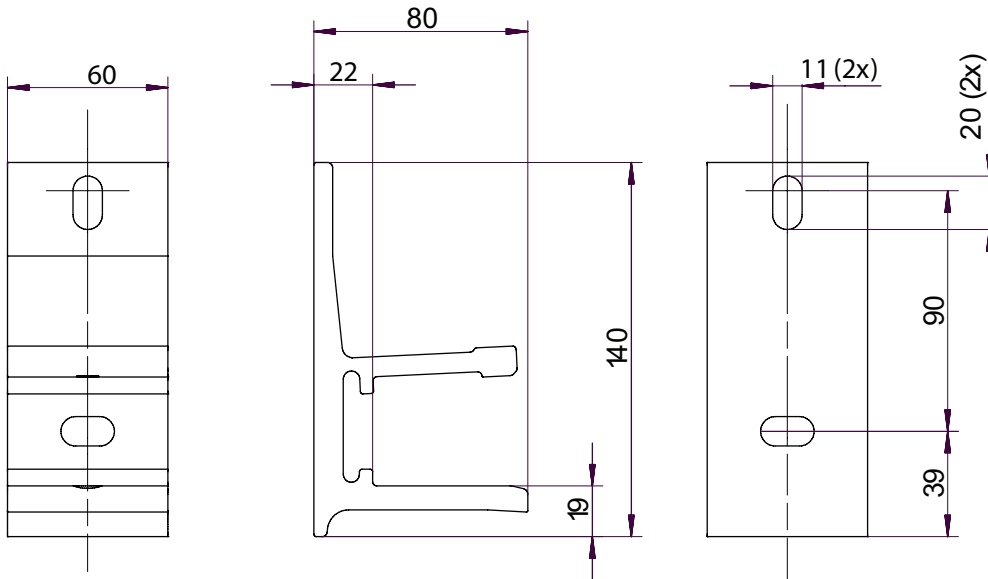
The arm brackets should be positioned at 1/6 of the total width, from the end bracket, when the combination of projection and width allows.

All - Position of installation bracket

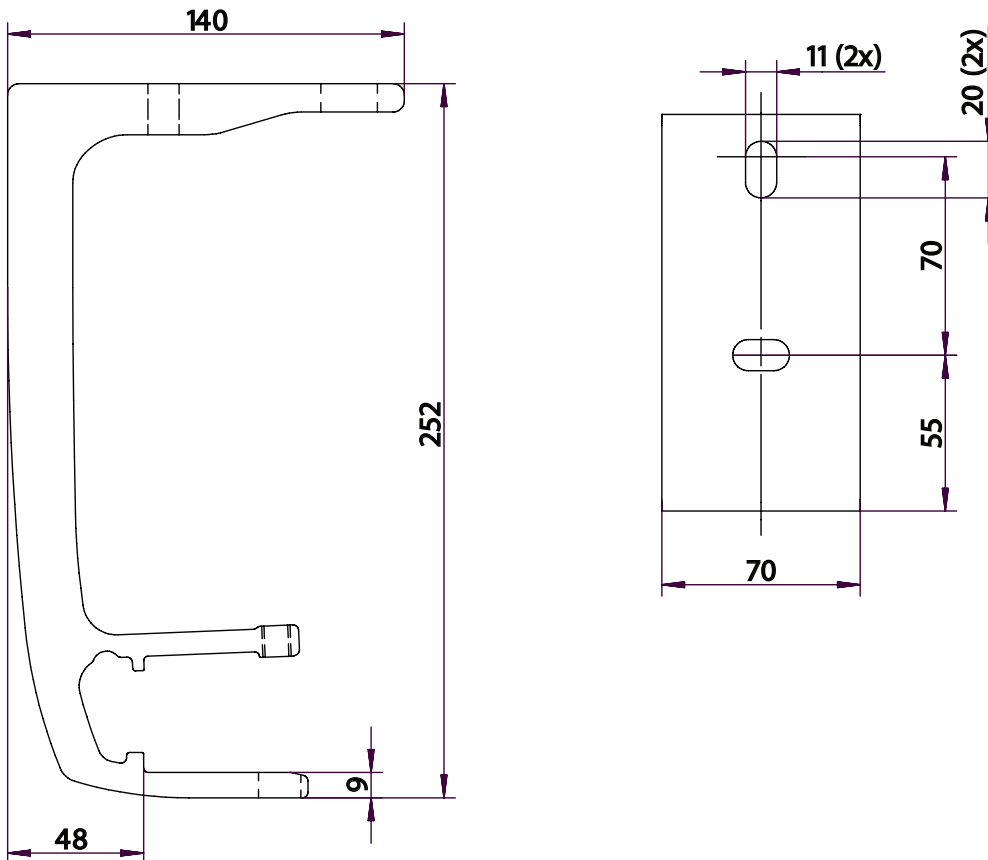
The installation bracket should be positioned as close to the arm bracket as possible.

Dimensions Installation Brackets

71.2762.xxxx - Wall bracket



71.2771.xxxx - Roof bracket



FA52 & FA56 - Installation of centre support

The centre supports should be assembled over the sewing joints which is located closest to the centre of the awning.

All - Fabric

Fabric requirement at projection: arm projection + 250mm excluding valance.

FA 58 - Position of fabric onto roller tube

The fabric should be positioned 25 mm from the edge of bushing on the roller side, to come straight into the cassette.

Special instruction for awning with three folding arms

The folding arm in the middle should not have any spring tension in the connection between the folding arm and arm bracket. Remove the spring tension in the center arm at the arm connection at the square tube.

Remove the pin that holds the Dyneema®-tape with a small flat-headed screwdriver.

FA52 - Special instruction for series connection of awnings

Bushing 72.3106.0000 should be used on both sides of the concerned end brackets.

Minimum gap between fabrics 65 mm.

Weight (in kilograms) per width and projection
FA52 & 56 Weight (kilogram) per width and projection

| Width (m) | 3,0 | 3,5 | 4,0 | 4,5 | 5,0 | 5,5 | 6,0 | 6,5 | 7,0 |
|------------------|------|------|------|------|------|------|------|------|------|
| Projection 1,6 m | 27,0 | 27,0 | 27,0 | 27,0 | 27,0 | 27,0 | 27,0 | 27,0 | 27,0 |
| 2,0 m | 29,0 | 37,0 | 46,0 | 48,5 | 52,5 | 55,0 | 58,5 | 69,0 | 72,5 |
| 2,5 m | | 39,5 | 48,0 | 50,5 | 54,0 | 57,0 | 61,0 | 72,0 | 75,0 |
| 3,0 m | | | 50,0 | 52,0 | 56,0 | 59,0 | 62,5 | 74,5 | 77,5 |
| 3,5 m | | | | 54,0 | 57,5 | 61,5 | 65,0 | 77,0 | 80,0 |
| 4,0 m | | | | 60,0 | 63,5 | 67,0 | 70,0 | | |

| | | |
|-----------------------|---|------------|
| FA56 Fabric Beam | + | 1kg/m |
| Roller Tube Ø85 | + | 0,7kg/m |
| Roller Valance Front | + | 4,7kg/m |
| Center support 4652 | + | 0,5 kg/pcs |
| Gear | - | 2kg/awning |
| Aluminium square tube | - | 1.4kg/m |

FA58 Weight (kilogram) per width and projection

| Width (m) | 3,0 | 3,5 | 4,0 | 4,5 | 5,0 | 5,5 | 6,0 | 6,5 | 7,0 |
|------------------|------|------|------|------|------|------|-------|-------|-------|
| Projection 1,6 m | 42,5 | 53,0 | 64,5 | 69,5 | 76,0 | 80,5 | 86,5 | 99,0 | 106,0 |
| 2,0 m | 44,5 | 55,0 | 66,0 | 71,0 | 77,5 | 82,5 | 88,5 | 101,0 | 107,5 |
| 2,5 m | | 57,5 | 68,0 | 73,0 | 79,0 | 84,5 | 91,0 | 104,0 | 110,0 |
| 3,0 m | | | 70,0 | 74,5 | 81,0 | 86,5 | 92,5 | 106,5 | 112,0 |
| 3,5 m | | | | 77,0 | 82,5 | 89,0 | 95,0 | 109,0 | 115,0 |
| 4,0 m | | | | 82,5 | 88,5 | 94,5 | 100,0 | | |

| | | |
|------------------------|---|---------|
| Roller Tube Ø85 | + | 0,7kg/m |
| Aluminium square tube | - | 1.4kg/m |
| Support profile (FA57) | - | 1.8kg/m |

Cutting Measurements FA50-series

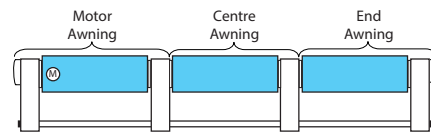
| FA 52 | Motor | Gear 3601 |
|------------------------|--------------|------------------|
| Square tube | -24 | -24 |
| Roller tube 70 & 78 mm | -100 | -130 |
| Roller tube 85 mm | -105 | -135 |
| Front profile | -100 | -130 |
| Fabric | -130 | -160 |

FA 52 Series

Connection

Shared square tube

| | Motor | Center awning | End awning |
|------------------------|--------------|----------------------|-------------------|
| Square tube | -12 | 0 | -12 |
| Roller tube 70 & 78 mm | -88 | -36 | -48 |
| Roller tube 85 mm | -103 | -66 | -68 |
| Front profile | -88 | -36 | -48 |
| Fabric 70 & 78 mm | -118 | -66 | -78 |
| Fabric 85 mm | -133 | -96 | -98 |

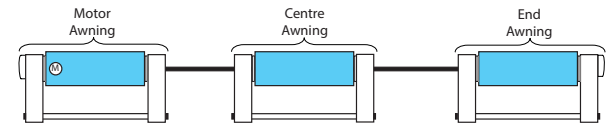


FA 52 Series

Connection

Separate Units

| | Motor | Center awning | End awning |
|------------------------|--------------|----------------------|-------------------|
| Square tube | -12 | 0 | -12 |
| Roller tube 70 & 78 mm | -88 | -56 | -68 |
| Roller tube 85 mm | -103 | -86 | -88 |
| Front profile | -88 | -56 | -68 |
| Fabric 70 & 78 mm | -118 | -86 | -98 |
| Fabric 85 mm | -133 | -116 | -118 |



FA 56

| | Motor | Gear 3601 |
|------------------------|--------------|------------------|
| Square tube | -102 | -102 |
| Roller tube 70 & 78 mm | -78 | -108 |
| Roller tube 85 mm | -83 | -113 |
| Front profile | -78 | -108 |
| Fabric | -108 | -138 |
| Fabric Beam | -78 | -108 |

FA 57/58

| | Motor |
|-------------------|--------------|
| Square tube | -38 |
| Roller tube 78 mm | -116 |
| Front profile | -80 |
| Support profile | -100 |
| Hood profile | -38 |
| Fabric | -150 |

Required Torque

Ø70mm roller tube

| Projection | 2 arms | 3 arms |
|------------|--------|--------|
| 1,0m | 26Nm | 32Nm |
| 1,6m | 30Nm | 36Nm |
| 2,0m | 30Nm | 36Nm |
| 2,5m | 27Nm | 32Nm |
| 3,0m | 29Nm | 34Nm |
| 3,5m | 29Nm | 34Nm |
| 4,0m | 28Nm | 33Nm |

Ø78mm roller tube


| Projection | 2 arms | 3 arms |
|------------|--------|--------|
| 1,0m | 30Nm | 36Nm |
| 1,6m | 34Nm | 40Nm |
| 2,0m | 34Nm | 40Nm |
| 2,5m | 31Nm | 36Nm |
| 3,0m | 33Nm | 38Nm |
| 3,5m | 32Nm | 37Nm |
| 4,0m | 30Nm | 35Nm |

Ø85mm roller tube

| Projection | 2 arms | 3 arms |
|------------|--------|--------|
| 1,0m | 34Nm | 40Nm |
| 1,6m | 38Nm | 44Nm |
| 2,0m | 37Nm | 43Nm |
| 2,5m | 33Nm | 38Nm |
| 3,0m | 35Nm | 40Nm |
| 3,5m | 35Nm | 40Nm |
| 4,0m | 32Nm | 37Nm |

Total minimum width (mm)

| | Total minimum width (mm) | | | |
|----------------------|--------------------------|--------|--------|------------|
| | 2 arms | 3 arms | 4 arms | Projection |
| FA52 std arm bracket | 1389 | 2054 | 2719 | 100-arm |
| | 1879 | 2814 | 3749 | 160-arm |
| | 2309 | 3459 | 4609 | 200-arm |
| | 2809 | 4209 | 5609 | 250-arm |
| | 3469 | 5199 | 6929 | 300-arm |
| | 3969 | 5949 | N.A. | 350-arm |
| | 4529 | N.A. | N.A. | 400-arm |
| FA56 dukbalk | 1484 | 2176 | N.A. | 100-arm |
| | 2034 | 3001 | N.A. | 160-arm |
| | 2484 | 3666 | N.A. | 200-arm |
| | 2984 | 4416 | N.A. | 250-arm |
| | 3469 | 5199 | N.A. | 300-arm |
| | 3969 | 5949 | N.A. | 350-arm |
| | 4674 | N.A. | N.A. | 400-arm |
| FA57/58 | 1435 | 2115 | 2795 | 100-arm |
| | 1985 | 2940 | 3895 | 160-arm |
| | 2415 | 3585 | 4755 | 200-arm |
| | 2915 | 4335 | 5755 | 250-arm |
| | 3485 | 5215 | 6945 | 300-arm |
| | 3985 | 5965 | N.A. | 350-arm |
| | 4545 | N.A. | N.A. | 400-arm |

 = outside our recommendations

Bill of material: FA52

| | Colour | | | Qty | | | | Unit | Pack [Unit] | Notes |
|--------------------------------------|---------------------|--------------|--------------|-------|-------|-------|-------|------|-------------------------|--------------------------------|
| | [White] | [Silver] | [Black] | 4.0 m | 5.0 m | 6.0 m | 7.0 m | | | |
| Folding arms | | | | | | | | | | |
| Folding arm 1.0 m | 73.9010.0001 | 73.9010.0182 | 73.9010.0914 | 1 | 1 | 1 | 1,5 | Pair | 1 | Non stock item |
| Folding arm 1.6 m | 73.9016.0001 | 73.9016.0182 | 73.9016.0914 | 1 | 1 | 1 | 1,5 | Pair | 1 | |
| Folding arm 2.0 m | 73.9020.0001 | 73.9020.0182 | 73.9020.0914 | 1 | 1 | 1 | 1,5 | Pair | 1 | |
| Folding arm 2.5 m | 73.9025.0001 | 73.9025.0182 | 73.9025.0914 | 1 | 1 | 1 | 1,5 | Pair | 1 | |
| Folding arm 3.0 m | 73.9030.0001 | 73.9030.0182 | 73.9030.0914 | 1 | 1 | 1 | 1,5 | Pair | 1 | |
| Folding arm 3.5 m | 73.9035.0001 | 73.9035.0182 | 73.9035.0914 | 1 | 1 | 1 | 1,5 | Pair | 1 | |
| Folding arm 4.0 m | 73.9040.0001 | 73.9040.0182 | 73.9040.0914 | 1 | 1 | 1 | - | Pair | 1 | |
| T-slotted bolt | 66.1035.0000 | 66.1035.0000 | 66.1035.0000 | 4 | 4 | 4 | 6 | PCS | 100 | |
| Flange nut | 66.1151.0000 | 66.1151.0000 | 66.1151.0000 | 4 | 4 | 4 | 6 | PCS | 100 | |
| Plastic cover | 71.2413.0001 | 71.2413.0182 | 71.2413.0049 | 4 | 4 | 4 | 6 | PCS | 100 | |
| Arm Brackets | | | | | | | | | | |
| Std Arm Bracket FA52/58 | 73.9093.0001 | 73.9093.0182 | 73.9093.0914 | 1 | 1 | 1 | 1,5 | Pair | 1 pair | 4 pair |
| | 73.9094.0001 | 73.9094.0182 | 73.9094.0914 | | | | | | | |
| Profiles | | | | | | | | | | |
| Square tube 40x40x2.0 mm | 74.4150.0001 | 74.4150.0182 | 74.4150.0914 | 4,0 | 5,0 | - | - | m | 1/50 profiles (5m) | |
| Square tube 40x40x2,0 mm | 74.4170.0001 | 74.4170.0182 | 74.4170.0914 | - | - | 6,0 | 7,0 | m | 1/50 profiles (7m) | |
| Roller tube Ø70 mm | 74.60X0.0000 | 74.60X0.0000 | 74.60X0.0000 | - | - | - | - | m | 1/39 profiles (5 or 7m) | < 3999mm |
| Roller tube Ø78 mm | 74.70x0.0000 | 74.70x0.0000 | 74.70x0.0000 | 4,0 | 5,0 | - | - | m | 1/28 profiles (5 or 7m) | < 5499mm |
| Roller tube Ø85 mm | 74.85x0.0000 | 74.85x0.0000 | 74.85x0.0000 | - | - | 6,0 | 7,0 | m | 1/23 profiles (6 or 7m) | ≥ 5500mm |
| Std Front Profile | | | | | | | | | | |
| Front tube 59x57 mm | 74.93x0.0001 | 74.93x0.0182 | 74.93x0.0914 | 4,0 | 5,0 | 6,0 | 7,0 | m | 6 profiles (5 or 7m) | |
| Locking profile | 71.5601.0000 | 71.5601.0000 | 71.5601.0000 | 12,0 | 15,0 | 18,0 | 21,0 | m | 144 / 1440 | |
| End cap Front tube 59x57mm | 71.2293.0001 | 71.2293.0182 | 71.2293.0049 | 1 | 1 | 1 | 1 | Pair | 40 | |
| Screw (Endcap) | 66.1093.0000 | 66.1093.0000 | 66.1093.0000 | 2 | 2 | 2 | 2 | PCS | 100 | |
| Fabric lock | 71.5613.0000 | 71.5613.0000 | 71.5613.0000 | 4 | 4 | 4 | 4 | PCS | 100 | |
| Roll Down Vallance (optional) | | | | | | | | | | |
| Front Tube Roller Valance Kit | 74.95X0.0001 | 74.95X0.0182 | 74.95X0.0914 | 4,0 | 5,0 | 6,0 | 7,0 | m | 1 pack (5 or 7m) | |
| Endcap Front Valance | 71.2295.0001 | 71.2295.0182 | 71.2295.0914 | 1 | 1 | 1 | 1 | Pair | 1 | |
| Comp Kit L+R | | | | | | | | | | |
| Screw | 66.1093.0000 | 66.1093.0000 | 66.1093.0000 | 4 | 4 | 4 | 4 | PCS | 100 | |
| Screw | 66.1066.0000 | 66.1066.0000 | 66.1066.0000 | 6 | 6 | 6 | 6 | PCS | 100 | |
| Components | | | | | | | | | | |
| Install bracket Wall FA52/58 | 71.2762.0001 | 71.2762.0182 | 71.2762.0914 | 2 | 4 | 4 | 6 | PCS | 30 | See Fabrication guidelines |
| Install bracket Roof FA52/58 | 71.2771.0001 | 71.2771.0182 | 71.2771.0914 | - | - | - | - | PCS | 6 | See Fabrication guidelines |
| Screw | 66.1209.0000 | 66.1209.0000 | 66.1209.0000 | 4 | 8 | 8 | 10 | PCS | 25 | |
| Plastic cover | 71.2413.0001 | 71.2413.0182 | 71.2413.0049 | 4 | 8 | 8 | 10 | PCS | 100 | |
| End bracket FA52 | 71.2770.0001 | 71.2770.0182 | 71.2770.0914 | 2 | 2 | 2 | 2 | PCS | 40 | |
| End cover Round | 71.2290.0001 | 71.2290.0182 | 71.2290.0049 | 2 | 2 | 2 | 2 | PCS | 40 | |
| Screw | 66.1066.0000 | 66.1066.0000 | 66.1066.0000 | 4 | 4 | 4 | 4 | PCS | 100 | |
| End cover Square | 71.2292.0001 | 71.2292.0182 | 71.2292.0914 | 2 | 2 | 2 | 2 | PCS | 40 | |
| Centre support FA52 | 71.4652.0000 | 71.4652.0000 | 71.4652.0000 | - | - | - | - | PCS | 6 | With 85 mm tube 0 Center Supp. |
| Bracket center support profile | 71.4650.0001 | 71.4650.0182 | 71.4650.0914 | - | - | - | - | PCS | 12 | |
| T-slotted bolt | 66.1035.0000 | 66.1035.0000 | 66.1035.0000 | - | - | - | - | PCS | 100 | |
| Flange nut | 66.1151.0000 | 66.1151.0000 | 66.1151.0000 | - | - | - | - | PCS | 100 | |
| Bushing | 72.3106.0000 | 72.3106.0000 | 72.3106.0000 | 1 | 1 | 1 | 1 | PCS | 20 | |
| Drive bushing 22 mm Ø70mm | 72.3102.0000 | 72.3102.0000 | 72.3102.0000 | - | - | - | - | PCS | 10 | < 3999mm |
| Drive bushing 22 mm Ø78mm | 72.3304.0000 | 72.3304.0000 | 72.3304.0000 | 1 | 1 | - | - | PCS | 10 | < 5499mm |
| Drive bushing 33 mm Ø85mm | 72.3305.0049 | 72.3305.0049 | 72.3305.0049 | - | - | 1 | 1 | PCS | 10 | ≥ 5500mm |
| With Gear | | | | | | | | | | |
| Drive bushing 40 mm Ø70mm | 72.3115.0000 | 72.3115.0000 | 72.3115.0000 | - | - | - | - | PCS | 10 | < 3999mm |
| Drive bushing 40 mm Ø78mm | 72.3302.0000 | 72.3302.0000 | 72.3302.0000 | 1 | 1 | - | - | PCS | 10 | < 5499mm |
| Drive bushing 33 mm Ø85mm | 72.3305.0049 | 72.3305.0049 | 72.3305.0049 | - | - | 1 | 1 | PCS | 10 | ≥ 5500mm |
| Gear 8.5:1 30 Nm | 72.3601.0001 | 72.3601.0182 | 72.3601.0914 | 1 | 1 | 1 | - | PCS | 20 | |
| Gear 13:1 35 Nm | 72.3604.0000 | 72.3604.0000 | 72.3604.0049 | - | - | - | 1 | PCS | 1 | when 3 arms |
| Crank handle | 72.3216.7035 | 72.3216.7035 | 72.3216.7035 | 1 | 1 | 1 | 1 | PCS | 10 | |
| Bolt | 66.1020.0000 | 66.1020.0000 | 66.1020.0000 | 2 | 2 | 2 | 2 | PCS | 100 | |
| Washer | 66.1100.0000 | 66.1100.0000 | 66.1100.0000 | 2 | 2 | 2 | 2 | PCS | 100 | |
| With Motor | | | | | | | | | | |
| Tubular Motor | from motor supplier | | | | | | | | | |
| Motor Bracket | from motor supplier | | | | | | | | | |
| Crown | from motor supplier | | | | | | | | | |
| Drive Bushing | from motor supplier | | | | | | | | | |

Bill of material: FA56

| | Colour | | | Qty | | | | Unit | Pack [Unit] | Notes |
|--------------------------------|---------------------|--------------|--------------|-------|-------|-------|-------|------|-------------------------|-----------------------------------|
| | [White] | [Silver] | [Black] | 4.0 m | 5.0 m | 6.0 m | 7.0 m | | | |
| Folding arms | | | | | | | | | | |
| Folding arm 1.6 m FB | 73.9416.0001 | 73.9416.0182 | 73.9416.0914 | 1 | 1 | 1 | 1,5 | Pair | 1 | |
| Folding arm 2.0 m FB | 73.9420.0001 | 73.9420.0182 | 73.9420.0914 | 1 | 1 | 1 | 1,5 | Pair | 1 | |
| Folding arm 2.5 m FB | 73.9425.0001 | 73.9425.0182 | 73.9425.0914 | 1 | 1 | 1 | 1,5 | Pair | 1 | |
| Folding arm 3.0 m FB | 73.9430.0001 | 73.9430.0182 | 73.9430.0914 | 1 | 1 | 1 | 1,5 | Pair | 1 | |
| Folding arm 3.5 m FB | 73.9435.0001 | 73.9435.0182 | 73.9435.0914 | 1 | 1 | 1 | 1,5 | Pair | 1 | |
| Folding arm 4.0 m FB | 73.9440.0001 | 73.9440.0182 | 73.9440.0914 | 1 | 1 | 1 | - | Pair | 1 | |
| T-slotted bolt | 66.1035.0000 | 66.1035.0000 | 66.1035.0000 | 4 | 4 | 4 | 6 | PCS | 100 | |
| Flange nut | 66.1151.0000 | 66.1151.0000 | 66.1151.0000 | 4 | 4 | 4 | 6 | PCS | 100 | |
| Plastic cover | 71.2413.0001 | 71.2413.0182 | 71.2413.0049 | 4 | 4 | 4 | 6 | PCS | 100 | |
| Arm Brackets | | | | | | | | | | |
| Std Arm Bracket FA52/58 | 73.9093.0001 | 73.9093.0182 | 73.9093.0914 | 1 | 1 | 1 | 1,5 | Pair | 1 pair | |
| | 73.9094.0001 | 73.9094.0182 | 73.9094.0914 | | | | | | 4 pair | |
| Profiles | | | | | | | | | | |
| Square tube 40x40x2.0 mm | 74.4150.0001 | 74.4150.0182 | 74.4150.0914 | 4,0 | 5,0 | - | - | m | 1/50 profiles (5m) | |
| Square tube 40x40x2,0 mm | 74.4170.0001 | 74.4170.0182 | 74.4170.0914 | - | - | 6,0 | 7,0 | m | 1/50 profiles (7m) | |
| Roller tube Ø70 mm | 74.60X0.0000 | 74.60X0.0000 | 74.60X0.0000 | - | - | - | - | m | 1/39 profiles (5 or 7m) | < 3999mm |
| Roller tube Ø78 mm | 74.70x0.0000 | 74.70x0.0000 | 74.70x0.0000 | 4,0 | 5,0 | - | - | m | 1/28 profiles (5 or 7m) | < 5499mm |
| Roller tube Ø85 mm | 74.85x0.0000 | 74.85x0.0000 | 74.85x0.0000 | - | - | 6,0 | 7,0 | m | 1/23 profiles (6 or 7m) | ≥ 5500mm |
| Std Front Profile | | | | | | | | | | |
| Front tube 59x57 mm | 74.93x0.0001 | 74.93x0.0182 | 74.93x0.0914 | 4,0 | 5,0 | 6,0 | 7,0 | m | 6 profiles (5 or 7m) | |
| Locking profile | 71.5601.0000 | 71.5601.0000 | 71.5601.0000 | 12,0 | 15,0 | 18,0 | 21,0 | m | 144 / 1440 | |
| End cap Front tube 59x57mm | 71.2293.0001 | 71.2293.0182 | 71.2293.0049 | 1 | 1 | 1 | 1 | Pair | 40 | |
| Screw (Endcap) | 66.1093.0000 | 66.1093.0000 | 66.1093.0000 | 2 | 2 | 2 | 2 | PCS | 100 | |
| Fabric lock | 71.5613.0000 | 71.5613.0000 | 71.5613.0000 | 4 | 4 | 4 | 4 | PCS | 100 | |
| Fabric Beam | | | | | | | | | | |
| Fabric Beam 30x60mm | 74.83x0.0001 | 74.83x0.0182 | 74.83x0.0914 | 1 | 1 | 1 | 1 | PCS | 1 | |
| Sleeve 1.5 - 2.0m projection | 71.5306.0001 | 71.5306.0182 | 71.5306.0914 | 2 | 2 | 2 | 3 | PCS | 10 | |
| Sleeve 2.5 - 3.0m projection | 71.5308.0001 | 71.5308.0182 | 71.5308.0914 | 2 | 2 | 2 | 3 | PCS | 10 | |
| Sleeve 3.5 - 4.0m projection | 71.5309.0001 | 71.5309.0182 | 71.5309.0914 | 2 | 2 | 2 | 3 | PCS | 10 | |
| Components | | | | | | | | | | |
| Install bracket FA52/58 | 71.2762.0001 | 71.2762.0182 | 71.2762.0914 | 2 | 4 | 4 | 6 | PCS | 30 | See Fabrication guidelines |
| Install bracket Roof FA52/58 | 71.2771.0001 | 71.2771.0182 | 71.2771.0914 | - | - | - | - | PCS | 6 | See Fabrication guidelines |
| Screw | 66.1209.0000 | 66.1209.0000 | 66.1209.0000 | 4 | 8 | 8 | 10 | PCS | 25 | |
| Plastic cover | 71.2413.0001 | 71.2413.0182 | 71.2413.0049 | 4 | 8 | 8 | 10 | PCS | 100 | |
| End bracket FA52 | 71.2770.0001 | 71.2770.0182 | 71.2770.0914 | 2 | 2 | 2 | 2 | PCS | 40 | |
| End cover Round | 71.2290.0001 | 71.2290.0182 | 71.2290.0049 | 2 | 2 | 2 | 2 | PCS | 40 | |
| Screw | 66.1066.0000 | 66.1066.0000 | 66.1066.0000 | 4 | 4 | 4 | 4 | PCS | 100 | |
| End cover Square | 71.2292.0001 | 71.2292.0182 | 71.2292.0914 | 2 | 2 | 2 | 2 | PCS | 40 | |
| Centre support FA52 | 71.4682.0000 | 71.4682.0000 | 71.4682.0000 | - | - | - | - | PCS | 6 | With 85 mm tube 0 Center Supports |
| Bracket center support profile | 71.4650.0001 | 71.4650.0182 | 71.4650.0914 | - | - | - | - | PCS | 12 | |
| T-slotted bolt | 66.1035.0000 | 66.1035.0000 | 66.1035.0000 | - | - | - | - | PCS | 100 | |
| Flange nut | 66.1151.0000 | 66.1151.0000 | 66.1151.0000 | - | - | - | - | PCS | 100 | |
| Bushing | 72.3106.0000 | 72.3106.0000 | 72.3106.0000 | 1 | 1 | 1 | 1 | PCS | 20 | |
| Drive bushing 22 mm Ø70mm | 72.3102.0000 | 72.3102.0000 | 72.3102.0000 | - | - | - | - | PCS | 10 | < 3999mm |
| Drive bushing 22 mm Ø78mm | 72.3304.0000 | 72.3304.0000 | 72.3304.0000 | 1 | 1 | - | - | PCS | 10 | < 5499mm |
| Drive bushing 33 mm Ø85mm | 72.3305.0049 | 72.3305.0049 | 72.3305.0049 | - | - | 1 | 1 | PCS | 10 | ≥ 5500mm |
| With Gear | | | | | | | | | | |
| Drive bushing 40 mm Ø70mm | 72.3115.0000 | 72.3115.0000 | 72.3115.0000 | - | - | - | - | PCS | 10 | < 3999mm |
| Drive bushing 40 mm Ø78mm | 72.3302.0000 | 72.3302.0000 | 72.3302.0000 | 1 | 1 | - | - | PCS | 10 | < 5499mm |
| Drive bushing 33 mm Ø85mm | 72.3305.0049 | 72.3305.0049 | 72.3305.0049 | - | - | 1 | 1 | PCS | 10 | ≥ 5500mm |
| Gear 8.5:1 30 Nm | 72.3601.0001 | 72.3601.0182 | 72.3601.0914 | 1 | 1 | 1 | - | PCS | 20 | |
| Gear 13:1 35 Nm | 72.3604.0000 | 72.3604.0000 | 72.3604.0049 | - | - | - | 1 | PCS | 1 | when 3 arms |
| Crank handle | 72.3216.7035 | 72.3216.7035 | 72.3216.7035 | 1 | 1 | 1 | 1 | PCS | 10 | |
| Bolt | 66.1020.0000 | 66.1020.0000 | 66.1020.0000 | 2 | 2 | 2 | 2 | PCS | 100 | |
| Washer | 66.1100.0000 | 66.1100.0000 | 66.1100.0000 | 2 | 2 | 2 | 2 | PCS | 100 | |
| With Motor | | | | | | | | | | |
| Tubular Motor | from motor supplier | | | | | | | | | |
| Motor Bracket | from motor supplier | | | | | | | | | |
| Crown | from motor supplier | | | | | | | | | |
| Drive Bushing | from motor supplier | | | | | | | | | |

Bill of material: FA57

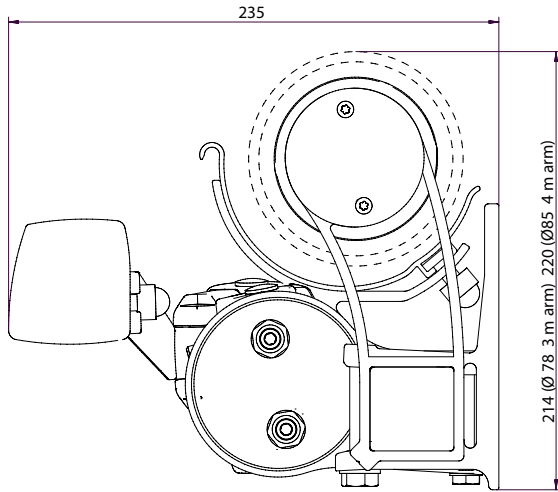
| | Colour | | | Qty | | | | Unit | Pack [Unit] | Notes |
|------------------------------|---------------------|--------------|---------------|-------|-------|-------|-------|------|-------------------------|----------------------------|
| | [White] | [Silver] | [Black] | 4.0 m | 5.0 m | 6.0 m | 7.0 m | | | |
| Folding arms | | | | | | | | | | |
| Folding arm 1.6 m | 73.9016.0001 | 73.9016.0182 | 73.9016.0914 | 1 | 1 | 1 | 1,5 | Pair | 1 | |
| Folding arm 2.0 m | 73.9020.0001 | 73.9020.0182 | 73.9020.0914 | 1 | 1 | 1 | 1,5 | Pair | 1 | |
| Folding arm 2.5 m | 73.9025.0001 | 73.9025.0182 | 73.9025.0914 | 1 | 1 | 1 | 1,5 | Pair | 1 | |
| Folding arm 3.0 m | 73.9030.0001 | 73.9030.0182 | 73.9030.0914 | 1 | 1 | 1 | 1,5 | Pair | 1 | |
| Folding arm 3.5 m | 73.9035.0001 | 73.9035.0182 | 73.9035.0914 | 1 | 1 | 1 | 1,5 | Pair | 1 | |
| Folding arm 4.0 m | 73.9040.0001 | 73.9040.0182 | 73.9040.0914 | 1 | 1 | 1 | - | Pair | 1 | |
| T-slotted bolt | | | | | | | | | | |
| T-slotted bolt | 66.1035.0000 | 66.1035.0000 | 66.1035.0000 | 4 | 4 | 4 | 6 | PCS | 100 | |
| Flange nut | | | | | | | | | | |
| Flange nut | 66.1151.0000 | 66.1151.0000 | 66.1151.0000 | 4 | 4 | 4 | 6 | PCS | 100 | |
| Plastic cover | | | | | | | | | | |
| Plastic cover | 71.2413.0001 | 71.2413.0182 | 71.2413.0049 | 4 | 4 | 4 | 6 | PCS | 100 | |
| Arm Brackets | | | | | | | | | | |
| Std Arm Bracket FA52/58 | 73.9093.0001 | 73.9093.0182 | 73.9093.0914 | 1 | 1 | 1 | 1,5 | PCS | 1 pair | |
| | 73.9094.0001 | 73.9094.0182 | 73.9094.0914 | | | | | | 4 pair | |
| Profiles | | | | | | | | | | |
| Square tube 40x40x2.0 mm | 74.4150.0001 | 74.4150.0182 | 74.4150.0914 | 4,0 | 5,0 | - | - | m | 1/50 profiles (5m) | |
| Square tube 40x40x2,0 mm | 74.4170.0001 | 74.4170.0182 | 74.4170.0914 | - | - | 6,0 | 7,0 | m | 1/50 profiles (7m) | |
| Roller tube Ø70 mm | 74.60X0.0000 | 74.60X0.0000 | 74.60X0.0000 | - | - | - | - | m | 1/39 profiles (5 or 7m) | < 3999mm |
| Roller tube Ø78 mm | 74.70x0.0000 | 74.70x0.0000 | 74.70x0.0000 | 4,0 | 5,0 | - | - | m | 1/28 profiles (5 or 7m) | < 5499mm |
| Roller tube Ø85 mm | 74.85x0.0000 | 74.85x0.0000 | 74.85x0.0000 | - | - | 6,0 | 7,0 | m | 1/23 profiles (6 or 7m) | ≥ 5500mm |
| Hood profile FA58 | 74.97x0.0001 | 74.9750.0182 | 74.9750.00914 | 4,0 | 5,0 | 6,0 | 7,0 | m | 4 profiles (5 or 7m) | |
| Semi Front Profile | | | | | | | | | | |
| Front tube Semi | 74.99x0.0001 | 74.9950.0182 | 74.9950.0914 | 4,0 | 5,0 | 6,0 | 7,0 | m | 4 profiles (5 or 7m) | |
| Locking profile | 71.5601.0000 | 71.5601.0000 | 71.5601.0000 | 12,0 | 15,0 | 18,0 | 21,0 | m | 144 / 1440 | |
| End cap FA58 | 71.2766.0001 | 71.2766.0182 | 71.2766.0914 | 1 | 1 | 1 | 1 | Pair | 6 | |
| Fabric lock | 71.5613.0000 | 71.5613.0000 | 71.5613.0000 | 4 | 4 | 4 | 4 | PCS | 100 | |
| Components | | | | | | | | | | |
| Installation bracket FA52/58 | 71.2762.0001 | 71.2762.0182 | 71.2762.0914 | 2 | 4 | 4 | 6 | PCS | 30 | See Fabrication guidelines |
| Installation screw | 66.1209.0000 | 66.1209.0000 | 66.1209.0000 | 4 | 8 | 8 | 10 | PCS | 25 | |
| Plastic cover | 71.2413.0001 | 71.2413.0182 | 71.2413.0049 | 4 | 8 | 8 | 10 | PCS | 100 | |
| End bracket FA58 | | | | | | | | | | |
| End bracket FA58 | 71.2760.0001 | 71.2760.0182 | 71.2760.0914 | 2 | 2 | 2 | 2 | PCS | 40 | |
| Screw | 66.1020.0000 | 66.1020.0000 | 66.1020.0000 | 2 | 2 | 2 | 2 | PCS | 100 | |
| Washer | 66.1100.0000 | 66.1100.0000 | 66.1100.0000 | 2 | 2 | 2 | 2 | PCS | 100 | |
| Side cap FA58 | 71.2765.0001 | 71.2765.0182 | 71.2765.0914 | 1 | 1 | 1 | 1 | Pair | 6 | |
| Hood bracket FA58 | 71.2769.0001 | 71.2769.0182 | 71.2769.0914 | 1 | 1 | 2 | 2 | PCS | 12 | |
| Adjustment bracket | 73.9095.0001 | 73.9095.0182 | 73.9095.0914 | 2 | 2 | 2 | 3 | PCS | 24 | |
| Bushing | | | | | | | | | | |
| Bushing | 72.3106.0000 | 72.3106.0000 | 72.3106.0000 | 1 | 1 | 1 | 1 | PCS | 20 | |
| Drive bushing 15 mm | 72.3310.0000 | 72.3310.0000 | 72.3310.0000 | 1 | 1 | 1 | 1 | PCS | 10 | |
| With Motor | | | | | | | | | | |
| Tubular Motor | from motor supplier | | | | | | | | | |
| Motor Bracket | from motor supplier | | | | | | | | | |
| Crown | from motor supplier | | | | | | | | | |
| Drive Bushing | from motor supplier | | | | | | | | | |

Bill of material: FA58

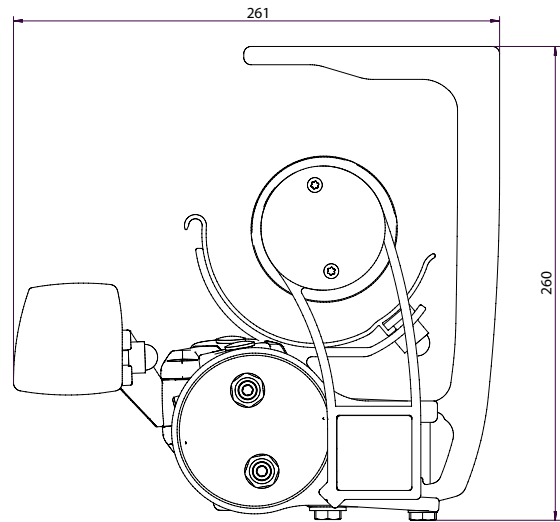
| | Colour | | | Qty | | | | Unit | Pack [Unit] | Notes |
|-------------------------------|---------------------|--------------|---------------|-------|-------|-------|-------|------|-------------------------|----------------------------|
| | [White] | [Silver] | [Black] | 4.0 m | 5.0 m | 6.0 m | 7.0 m | | | |
| Folding arms | | | | | | | | | | |
| Folding arm 1.0 m | 73.9010.0001 | 73.9010.0182 | 73.9010.0914 | 1 | 1 | 1 | 1,5 | Pair | 1 | Non stock item |
| Folding arm 1.6 m | 73.9016.0001 | 73.9016.0182 | 73.9016.0914 | 1 | 1 | 1 | 1,5 | Pair | 1 | |
| Folding arm 2.0 m | 73.9020.0001 | 73.9020.0182 | 73.9020.0914 | 1 | 1 | 1 | 1,5 | Pair | 1 | |
| Folding arm 2.5 m | 73.9025.0001 | 73.9025.0182 | 73.9025.0914 | 1 | 1 | 1 | 1,5 | Pair | 1 | |
| Folding arm 3.0 m | 73.9030.0001 | 73.9030.0182 | 73.9030.0914 | 1 | 1 | 1 | 1,5 | Pair | 1 | |
| Folding arm 3.5 m | 73.9035.0001 | 73.9035.0182 | 73.9035.0914 | 1 | 1 | 1 | 1,5 | Pair | 1 | |
| Folding arm 4.0 m | 73.9040.0001 | 73.9040.0182 | 73.9040.0914 | 1 | 1 | 1 | - | Pair | 1 | |
| T-slotted bolt | 66.1035.0000 | 66.1035.0000 | 66.1035.0000 | 4 | 4 | 4 | 6 | PCS | 100 | |
| Flange nut | 66.1151.0000 | 66.1151.0000 | 66.1151.0000 | 4 | 4 | 4 | 6 | PCS | 100 | |
| Plastic cover | 71.2413.0001 | 71.2413.0182 | 71.2413.0049 | 4 | 4 | 4 | 6 | PCS | 100 | |
| Arm Brackets | | | | | | | | | | |
| Std Arm Bracket FA52/58 | 73.9093.0001 | 73.9093.0182 | 73.9093.0914 | 1 | 1 | 1 | 1,5 | PCS | 1 pair | |
| | 73.9094.0001 | 73.9094.0182 | 73.9094.0914 | | | | | | 4 pair | |
| Profiles | | | | | | | | | | |
| Square tube 40x40x2.0 mm | 74.4150.0001 | 74.4150.0182 | 74.4150.0914 | 4,0 | 5,0 | - | - | m | 1/50 profiles (5m) | |
| Square tube 40x40x2,0 mm | 74.4170.0001 | 74.4170.0182 | 74.4170.0914 | - | - | 6,0 | 7,0 | m | 1/50 profiles (7m) | |
| Roller tube Ø78 mm | 74.70x0.0000 | 74.70x0.0000 | 74.70x0.0000 | 4,0 | 5,0 | 6,0 | 7,0 | m | 1/28 profiles (5 or 7m) | |
| Hood profile FA58 | 74.97x0.0001 | 74.97x0.0182 | 74.97x0.00914 | 4,0 | 5,0 | 6,0 | 7,0 | m | 4 profiles (5 or 7m) | |
| Support profile FA58 | 74.98x0.0001 | 74.98x0.0182 | 74.98x0.00914 | 4,0 | 5,0 | 6,0 | 7,0 | m | 4 profiles (5 or 7m) | |
| Semi Front Profile | | | | | | | | | | |
| Front tube Semi | 74.99x0.0001 | 74.99x0.0182 | 74.99x0.0914 | 4,0 | 5,0 | 6,0 | 7,0 | m | 4 profiles (5 or 7m) | |
| Locking profile | 71.5601.0000 | 71.5601.0000 | 71.5601.0000 | 12,0 | 15,0 | 18,0 | 21,0 | m | 144 / 1440 | |
| End cap FA58 | 71.2766.0001 | 71.2766.0182 | 71.2766.0914 | 1 | 1 | 1 | 1 | Pair | 6 | |
| Fabric lock | 71.5613.0000 | 71.5613.0000 | 71.5613.0000 | 4 | 4 | 4 | 4 | PCS | 100 | |
| Components | | | | | | | | | | |
| Install. bracket FA52/58 | 71.2762.0001 | 71.2762.0182 | 71.2762.0914 | 2 | 4 | 4 | 6 | PCS | 30 | See Fabrication guidelines |
| Install. bracket Roof FA52/58 | 71.2771.0001 | 71.2771.0182 | 71.2771.0914 | - | - | - | - | PCS | 6 | See Fabrication guidelines |
| Screw | 66.1209.0000 | 66.1209.0000 | 66.1209.0000 | 4 | 8 | 8 | 10 | PCS | 25 | |
| Plastic cover | 71.2413.0001 | 71.2413.0182 | 71.2413.0049 | 4 | 8 | 8 | 10 | PCS | 100 | |
| End bracket FA58 | 71.2760.0001 | 71.2760.0182 | 71.2760.0914 | 2 | 2 | 2 | 2 | PCS | 40 | |
| Side cap FA58 | 71.2765.0001 | 71.2765.0182 | 71.2765.0914 | 1 | 1 | 1 | 1 | Pair | 6 | |
| Hood bracket FA58 | 71.2769.0001 | 71.2769.0182 | 71.2769.0914 | 1 | 1 | 2 | 2 | PCS | 12 | |
| Adjustment bracket | 73.9095.0001 | 73.9095.0182 | 73.9095.0914 | 2 | 2 | 2 | 3 | PCS | 24 | |
| Bracket support profile FA58 | 71.4650.0001 | 71.4650.0182 | 71.4650.0914 | 3 | 3 | 4 | 4 | PCS | 12 | |
| T-slotted bolt | 66.1035.0000 | 66.1035.0000 | 66.1035.0000 | 3 | 3 | 4 | 4 | PCS | 100 | |
| Flange nut | 66.1151.0000 | 66.1151.0000 | 66.1151.0000 | 3 | 3 | 4 | 4 | PCS | 100 | |
| Center Support FA58 | 71.4658.0001 | 71.4658.0182 | 71.4658.0049 | 4 | 5 | 5 | 6 | PCS | 24 | |
| Bushing | 72.3106.0000 | 72.3106.0000 | 72.3106.0000 | 1 | 1 | 1 | 1 | PCS | 20 | |
| Drive bushing 22 mm | 72.3304.0000 | 72.3304.0000 | 72.3304.0000 | 1 | 1 | 1 | 1 | PCS | 10 | |
| With Motor | | | | | | | | | | |
| Tubular Motor | from motor supplier | | | | | | | | | |
| Motor Bracket | from motor supplier | | | | | | | | | |
| Crown | from motor supplier | | | | | | | | | |
| Drive Bushing | from motor supplier | | | | | | | | | |

Installation views FA52

FA52

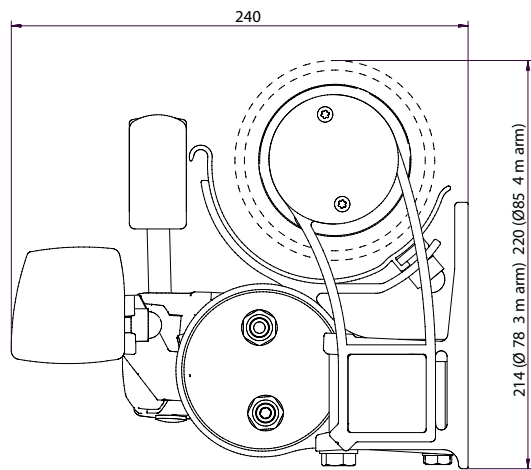


FA52 roof mounted

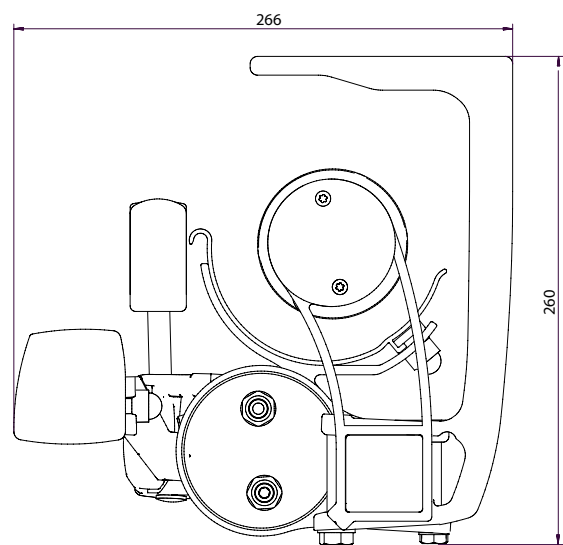


Installation views FA56

FA56

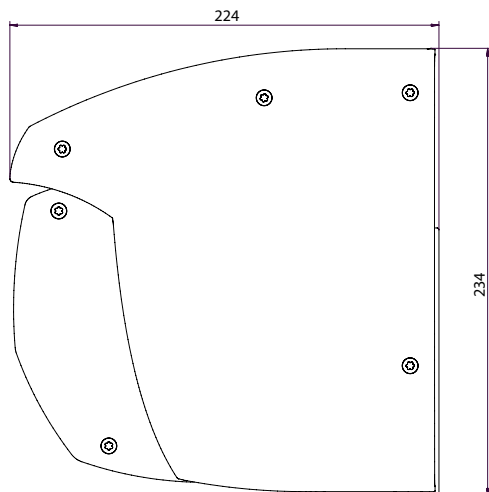


FA56 roof mounted

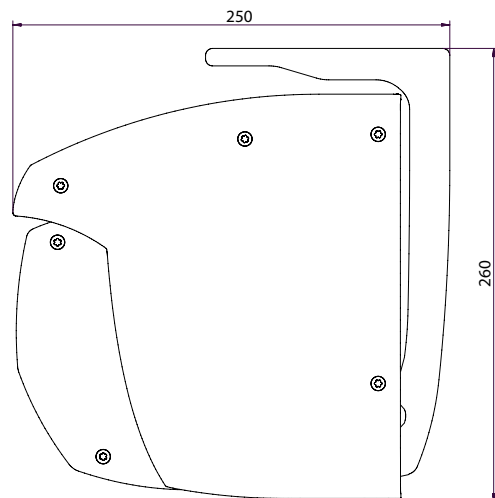


Installation views FA57/58

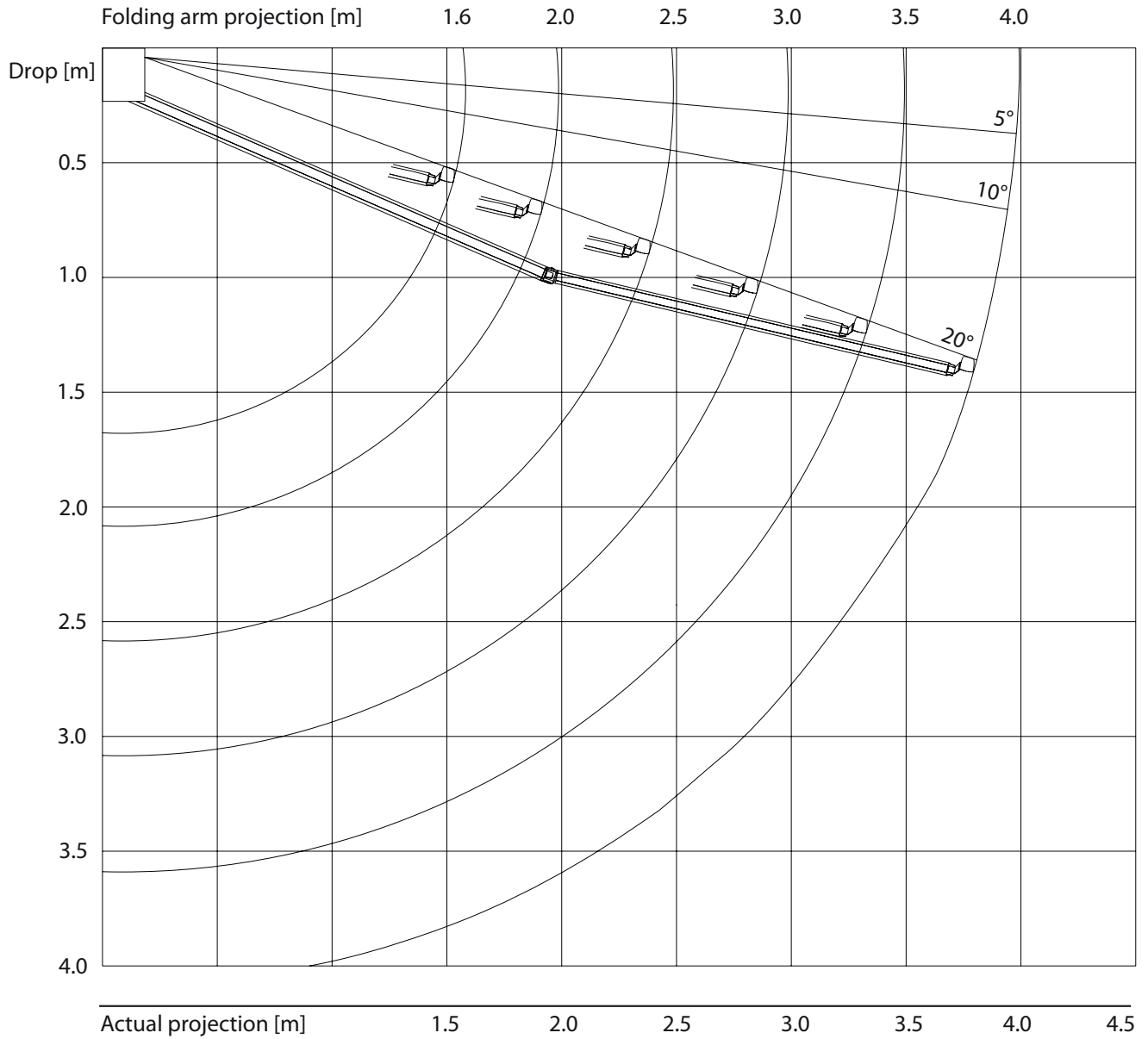
FA57/58



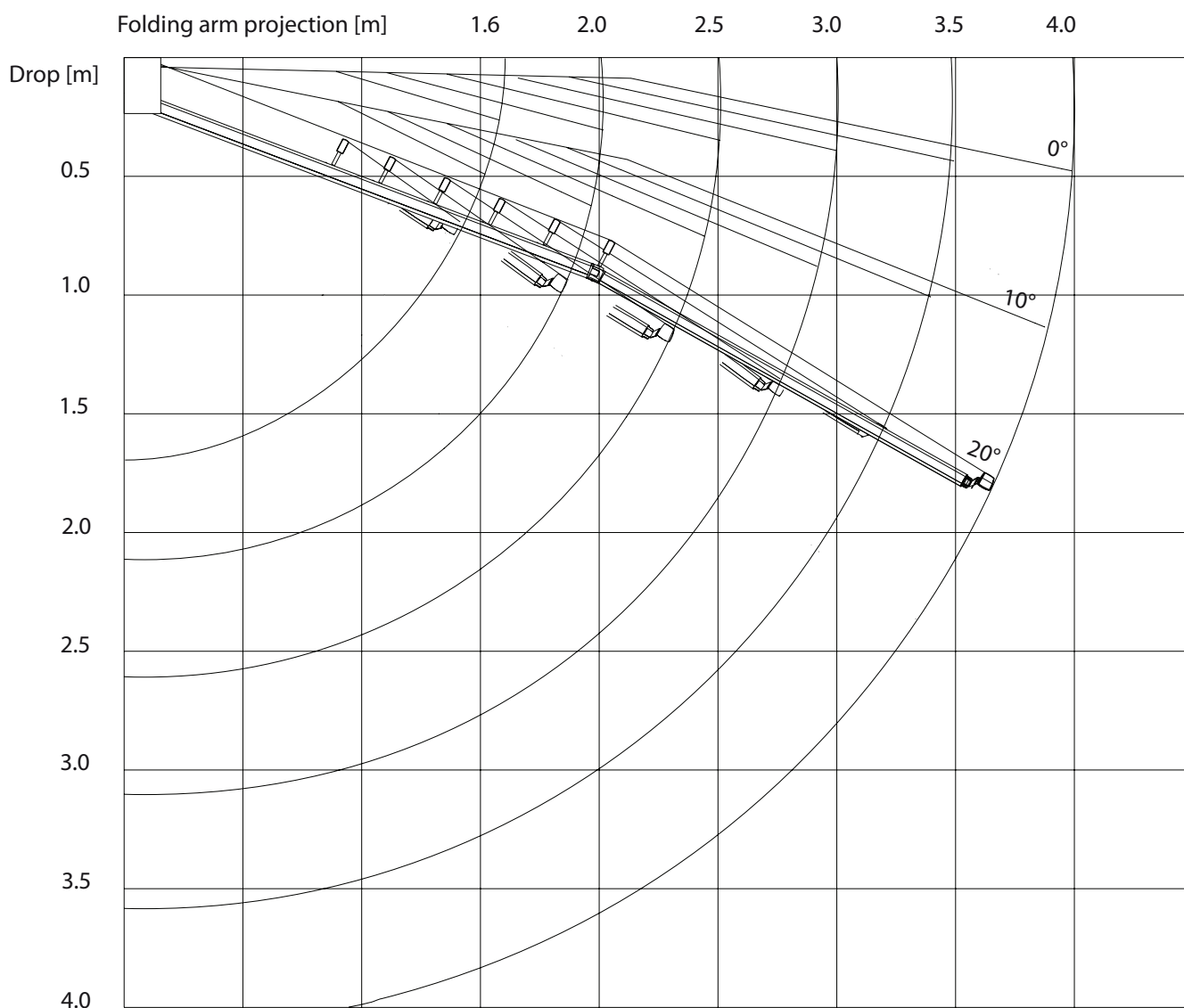
FA57/58 roof mounted



Projection and pitch diagram FA52/57/58



Projection and pitch diagram FA56



HUNTER DOUGLAS SCANDINAVIA

PO Box 541
SE-441 15 Alingsås
Sweden
Tel: +46-322 775 00
Fax: +46-322 775 29
E-mail: order@hunterdouglas.se

HunterDouglas 

www.hunterdouglas.se